

# BNC/M-SMB/PLUG 4GHZ 75 OHMS

SM3645

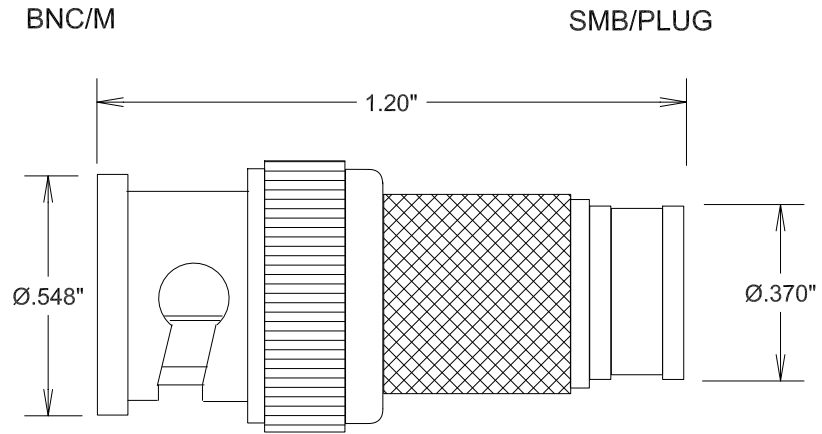
## SPECIFICATIONS

### ELECTRICAL

FREQUENCY: 0-4 GHZ  
IMPEDENCE: 75 OHMS  
VSWR: 1.2:1 MAX

### MECHANICAL

MATERIAL BODY: NICKEL PLATED BRASS  
CONTACTS: Au PLATED PER MIL-G-45204  
INTERFACE: MIL-STD-348A  
TEMPERATURE RATING: -55° +110°C  
ROHS COMPLIANT



**FAIRVIEW MICROWAVE INC.**

ALLEN, TX 75013 WWW.FAIRVIEWMICROWAVE.COM

TITLE

**BNC/M-SMB/PLUG 4GHZ 75 OHMS**

SIZE	CAGE CODE	DWG NO	REV
<b>A</b>	3FKR5	<b>SM3645</b>	-

SCALE

SHEET