

BNC/M-SMB/JACK 4GHZ 75 OHMS

SM3642

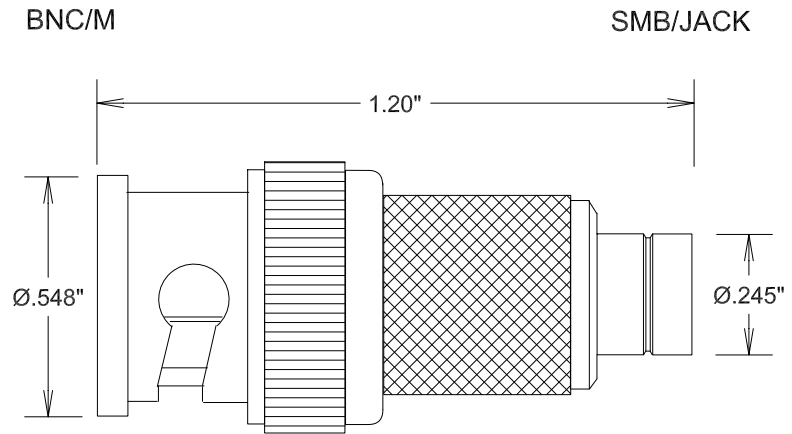
SPECIFICATIONS

ELECTRICAL

FREQUENCY: 0-4 GHZ
IMPEDENCE: 75 OHMS
VSWR: 1.2:1 MAX

MECHANICAL

MATERIAL BODY: NICKEL PLATED BRASS
CONTACTS: Au PLATED PER MIL-G-45204
INTERFACE: MIL-STD-348A
TEMPERATURE RATING: -55° +110°C
ROHS COMPLIANT



FAIRVIEW MICROWAVE INC.

ALLEN, TX 75013 WWW.FAIRVIEWMICROWAVE.COM

TITLE

BNC/M-SMB/JACK 4GHZ 75 OHMS

| SIZE | CAGE CODE | DWG NO | REV |
|----------|-----------|---------------|-----|
| A | 3FKR5 | SM3642 | - |

SCALE

SHEET