

BNC/F SMB/JACK BULKHEAD ADAPTER

SM3631

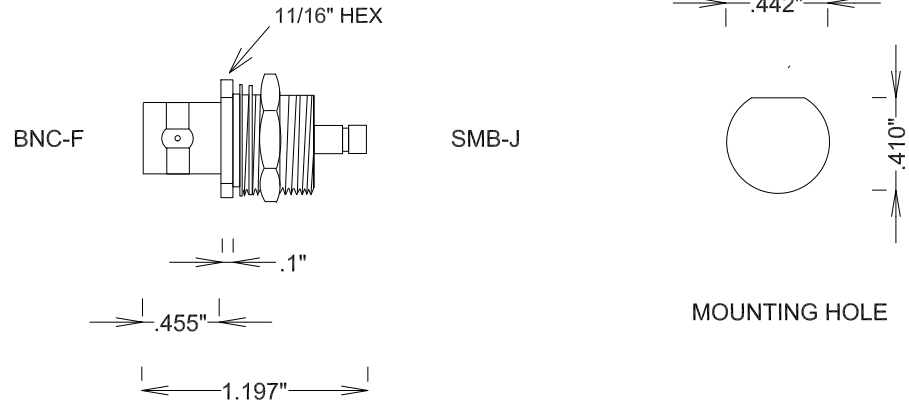
SPECIFICATIONS

ELECTRICAL

FREQUENCY: 0-4 GHZ
 IMPEDANCE: 50 OHMS
 VSWR: 1.20:1 MAX

MECHANICAL

MATERIALS BODY: NI PLATED BRASS
 CONTACT PLATING: Au



				FAIRVIEW MICROWAVE INC.			
				ALLEN, TX 75013 WWW.FAIRVIEWMICROWAVE.COM			
				TITLE			
				BNC/F SMB/JACK BULKHEAD ADAPTER			
SIZE		CAGE CODE		DWG NO		REV	
A		3FKR5		SM3631		--	
SCALE				SHEET			