

# SMB-BNC ADAPTERS 4GHZ

SM3630, SM3632, SM3634, SM3636

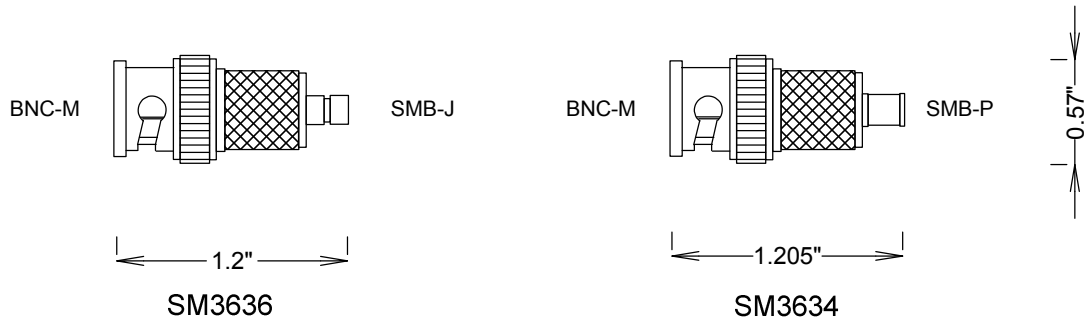
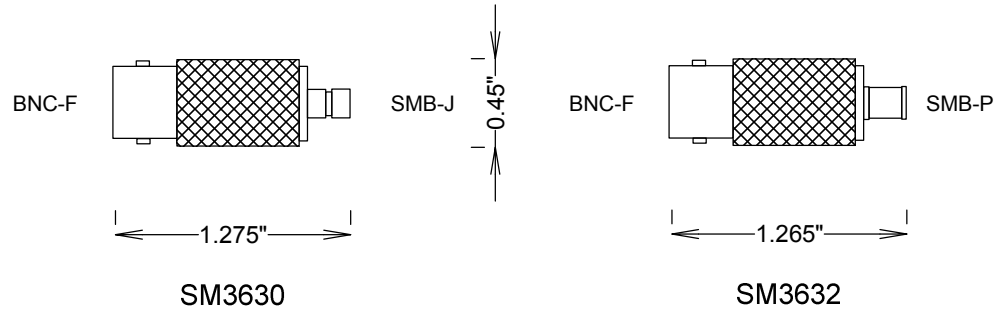
## SPECIFICATIONS

### ELECTRICAL

FREQUENCY: 0-4 GHZ  
 IMPEDANCE: 50 OHMS  
 VSWR: 1.2:1 MAX @ 4GHZ

### MECHANICAL

MATERIAL BODY: NICKEL PLATED BRASS  
 CONTACTS: BeCu  
 CONTACT PLATING: Au PER MIL-G-45204  
 INTERFACE: MIL-STD-348A  
 TEMPERATURE: -65° +125°C



**FAIRVIEW MICROWAVE INC.**

ALLEN, TX 75013 WWW.FAIRVIEWMICROWAVE.COM

TITLE

**SMB-BNC ADAPTERS 4GHZ**

SIZE	CAGE CODE	DWG NO	REV
<b>A</b>	3FKR5	SM3630, SM3632, SM3634, SM3636	<b>B</b>

SCALE	SHEET
-------	-------