

# TNC/F-BNC/F BULKHEAD 8GHZ ADAPTER

SM3549

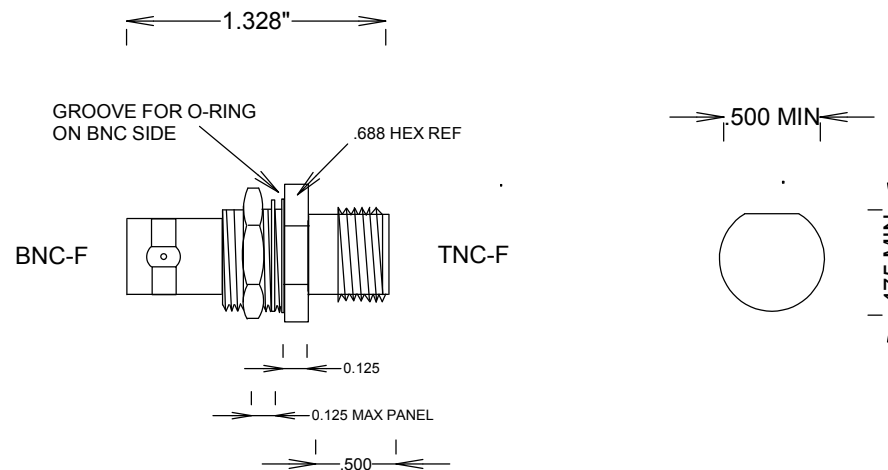
## SPECIFICATIONS

### ELECTRICAL

FREQUENCY: 0-8 GHZ  
 IMPEDANCE: 50 OHMS  
 VSWR: 1.25:1 MAX @ 8GHZ  
 VRMS: 500 V SEA LEVEL

### MECHANICAL

MATERIALS BODY TNC : PASSIVATED STAINLESS STEEL  
 MATERIALS BODY BNC : NICKEL PLATED BRASS  
 CONTACT PLATING: Au



|  |  |          |              |  |          |
|--|--|----------|--------------|--|----------|
|  |  |          |              | <b>FAIRVIEW MICROWAVE INC.</b>   |          |
|  |  |          |              | ALLEN, TX 75013 <a href="http://WWW.FAIRVIEWMICROWAVE.COM">WWW.FAIRVIEWMICROWAVE.COM</a> |          |
|  |  |          |              | TITLE  |          |
|  |  |          |              | TNC/F-BNC/F BULKHEAD 8GHZ ADAPTER  |          |
|  |  | SIZE     | CAGE CODE    | DWG NO   | REV      |
|  |  | <b>A</b> | <b>3FKR5</b> | <b>SM3549</b>  | <b>A</b> |
|  |  |          |              | SCALE  | SHEET    |