

# TNC-BNC 8GHZ PRECISION ADAPTERS

SM3547, SM3552, SM3557, SM3562

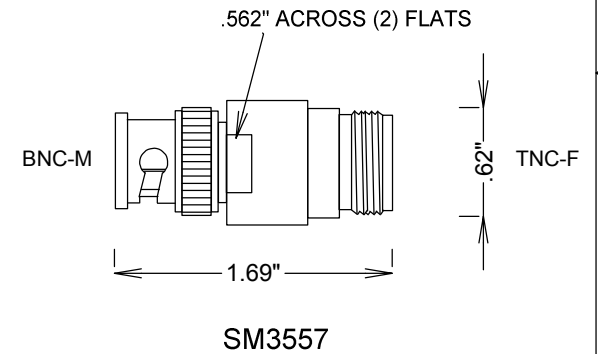
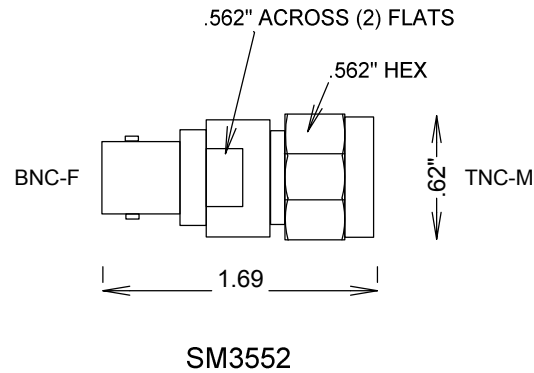
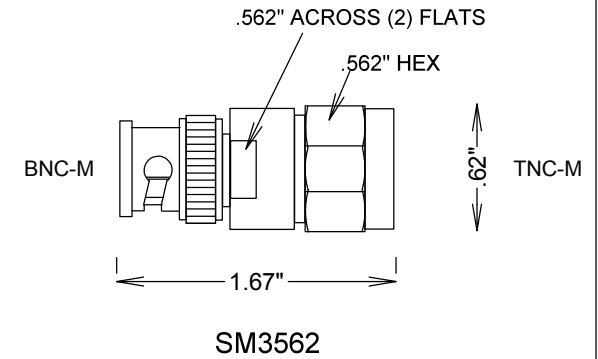
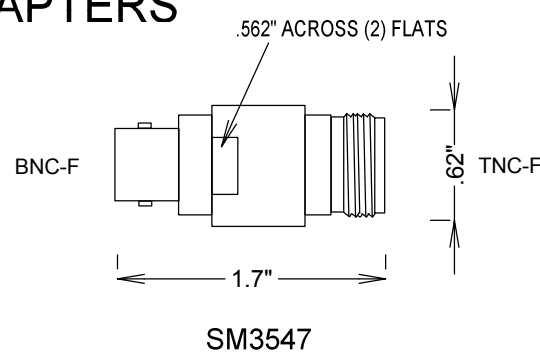
## SPECIFICATIONS

### ELECTRICAL

FREQUENCY: 0-8 GHZ  
 IMPEDANCE: 50 OHMS  
 VSWR: 1.25:1 MAX @ 8GHZ

### MECHANICAL

MATERIALS TNC BODY : PASS. STAINLESS STEEL  
 MATERIAL BNC BODY: NICKEL PLATED BRASS  
 CONTACT PLATING: Au



**FAIRVIEW MICROWAVE INC.**

ALLEN, TX 75013 WWW.FAIRVIEWMICROWAVE.COM

TITLE

**TNC-BNC 8GHZ PRECISION ADAPTERS**

SIZE	CAGE CODE	DWG NO	REV
<b>A</b>	3FKR5	SM3547, SM3552, SM3557, SM3562	-

SCALE	SHEET
-------	-------