

TNC/F-BNC/F ADAPTER

SM3546

SPECIFICATIONS

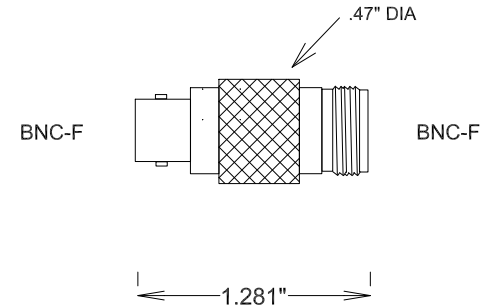
ELECTRICAL

FREQUENCY: 0-4 GHZ
IMPEDANCE: 50 OHMS
VSWR: 1.25:1 MAX @ 4GHZ

MECHANICAL

MATERIALS BODY: NICKEL PLATED BRASS
CONTACT PLATING: BeCu, Au PLATED, MIL-G-45204
INTERFACE: MIL-STD-348A
DIELECTRIC: TEFLON

-55 TO +135 DEG C



				FAIRVIEW MICROWAVE INC.			
				ALLEN, TX 75013 WWW.FAIRVIEWMICROWAVE.COM			
				TITLE			
				TNC/F-BNC/F ADAPTER			
SIZE		CAGE CODE		DWG NO		REV	
A		3FKR5		SM3546		-	
SCALE				SHEET			