

TNC/F-BNC/F BULKHEAD HERMETIC ADAPTER

SM3543

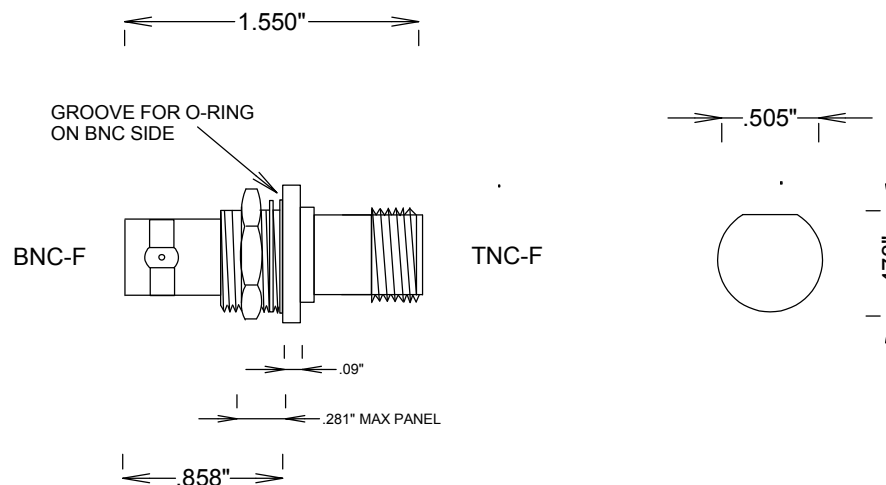
SPECIFICATIONS

ELECTRICAL

FREQUENCY: 0-4 GHZ
 IMPEDANCE: 50 OHMS
 VSWR: 1.3:1 MAX @ 4GHZ

MECHANICAL

MATERIALS BODY: NICKEL PLATED BRASS
 CONTACTS: BeCu
 CONTACT PLATING: BNC: Si, TNC: Au, MIL-G-45208
 INULATOR: PTFE
 INTERFACE: MIL-STD-348A
 HERMETIC



				FAIRVIEW MICROWAVE INC.	
				ALLEN, TX 75013 WWW.FAIRVIEWMICROWAVE.COM	
				TITLE	
				TNC/F-BNC/F BULKHEAD HERMETIC ADAPTER	
		SIZE	CAGE CODE	DWG NO	REV
		A	3FKR5	SM3543	--
				SCALE	SHEET