

N-BNC RIGHT ANGLE ADAPTERS

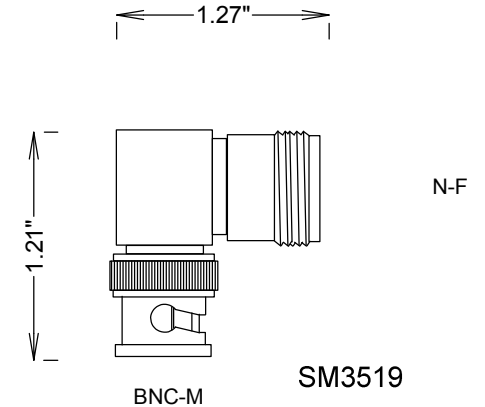
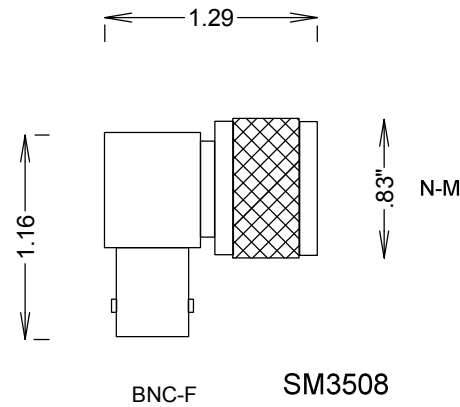
SM3508, SM3519

SPECIFICATIONS

ELECTRICAL
FREQUENCY: 0-4 GHZ
IMPEDANCE: 50 OHMS

MECHANICAL
BODY: NICKEL PLATED BRASS
CONTACT: SILVER PLATED
INTERFACE: MIL-STD-348A

ROHS COMPLIANT



FAIRVIEW MICROWAVE INC.

ALLEN, TX 75013 WWW.FAIRVIEWMICROWAVE.COM

TITLE

N-BNC RIGHT ANGLE ADAPTERS

SIZE	CAGE CODE	DWG NO	REV
A	3FKR5	SM3508, SM3519	B
SCALE	SHEET		