

# BNC T ADAPTER F-M-F 4GHZ

SM3448

## SPECIFICATIONS

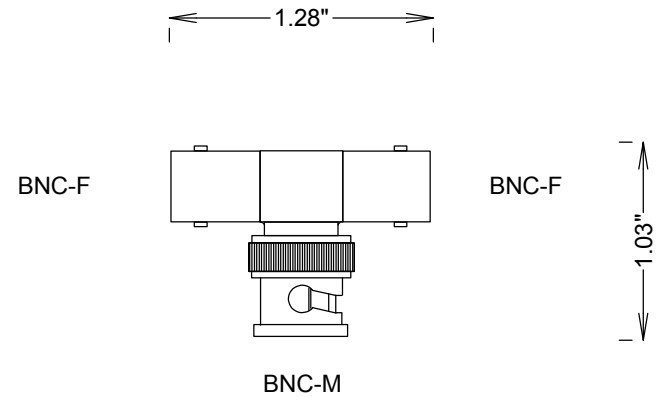
### ELECTRICAL

FREQUENCY: 0-4 GHZ  
 IMPEDANCE: 50 OHMS

### MECHANICAL

MATERIAL BODY: NICKEL PLATED BRASS  
 CONTACTS: BeCu (F), BRASS (M)  
 CONTACT PLATING: PER MIL-G-45204  
 Si PLATING 50μ" MIN  
 INSULATOR: TEFLON

INTERFACE: MIL-STD-348A



**FAIRVIEW MICROWAVE INC.**

ALLEN, TX 75013 WWW.FAIRVIEWMICROWAVE.COM

TITLE

**BNC T ADAPTER F-M-F 4GHZ**

SIZE	CAGE CODE	DWG NO	REV
<b>A</b>	3FKR5	<b>SM3448</b>	-

SCALE	SHEET
-------	-------