

BNC T ADAPTER F-F-M 4GHZ

SM3446

SPECIFICATIONS

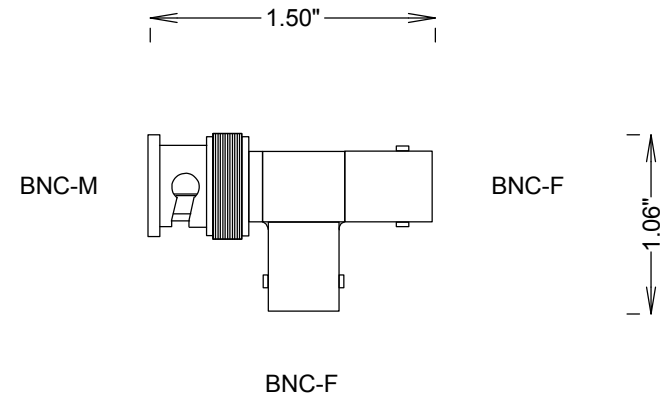
ELECTRICAL

FREQUENCY: 0-4 GHZ
IMPEDANCE: 50 OHMS

MECHANICAL

MATERIAL BODY: NICKEL PLATED BRASS
CONTACTS: BeCu (F), BRASS (M)
CONTACT PLATING: PER MIL-G-45204
Si PLATING 50 μ " MIN
INSULATOR: TEFLON

INTERFACE: MIL-STD-348A



FAIRVIEW MICROWAVE INC.

ALLEN, TX 75013 WWW.FAIRVIEWMICROWAVE.COM

TITLE

BNC T ADAPTER F-F-M 4GHZ

SIZE	CAGE CODE	DWG NO	REV
A	3FKR5	SM3446	-

SCALE

SHEET