

BNC F/F BULKHEAD 75 OHMS

SM3422

SPECIFICATIONS

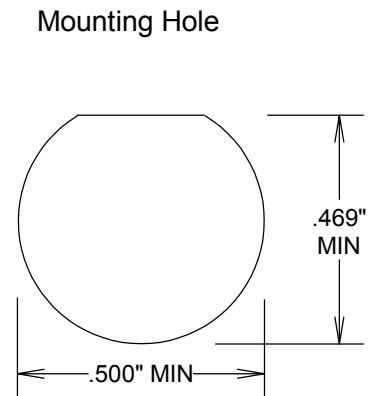
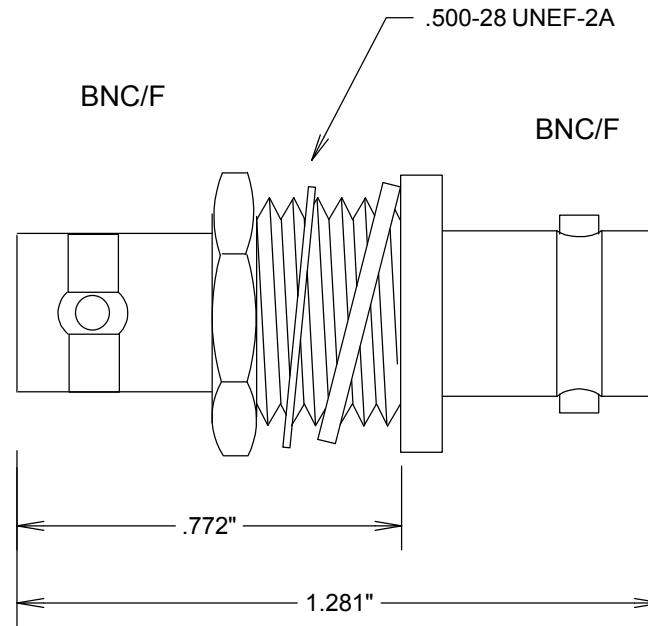
ELECTRICAL

FREQUENCY: 0-2 GHZ
IMPEDANCE: 75 OHMS
VSWR: 1.20:1 MAX

MECHANICAL

MATERIALS BODY: NI PLATED BRASS
CONTACT PLATING: Au

ROHS COMPLIANT



				FAIRVIEW MICROWAVE INC.			
				ALLEN, TX 75013 WWW.FAIRVIEWMICROWAVE.COM			
				TITLE			
				BNC F/F BULKHEAD 75 OHMS			
SIZE		CAGE CODE		DWG NO		REV	
A		3FKR5		SM3422		--	
SCALE				SHEET			