

BNC F/F BULKHEAD 4GHZ 50 OHMS  
SM3416

**SPECIFICATIONS**

**ELECTRICAL**

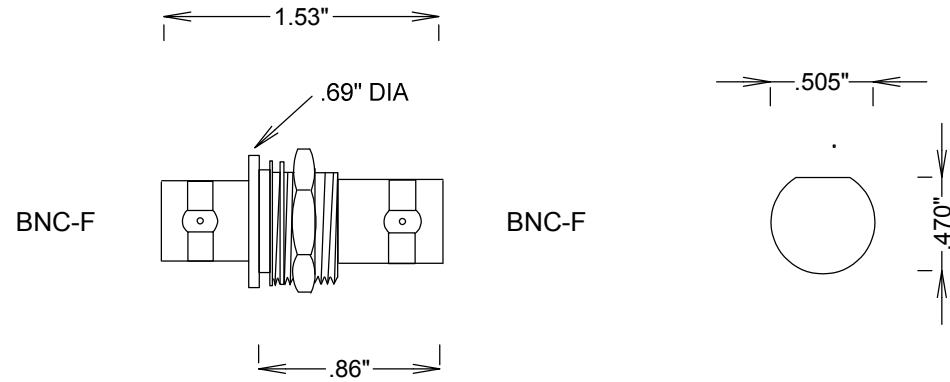
FREQUENCY: 0-4 GHZ  
IMPEDANCE: 50 OHMS  
VSWR: 1.20:1 MAX

**MECHANICAL**

MATERIALS BODY: NI PLATED BRASS  
CONTACTS BeCu, SILVER PLATED  
INTERFACE: MIL-STD-348A

**ENVIRONMENTAL:**

TEMP -65° TO +155 DEG C



				<b>FAIRVIEW MICROWAVE INC.</b>			
				ALLEN, TX 75013 WWW.FAIRVIEWMICROWAVE.COM			
				TITLE			
				BNC F/F BULKHEAD 4GHZ 50 OHMS			
SIZE		CAGE CODE		DWG NO		REV	
A		3FKR5		SM3416		A	
SCALE				SHEET			