

BNC F/F ADAPTER 50 OHMS

SM3415

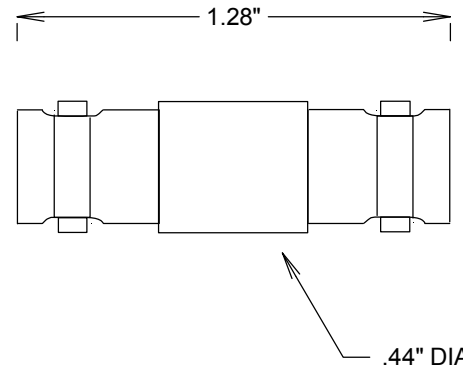
SPECIFICATIONS

ELECTRICAL

FREQUENCY: 0-8 GHZ
 IMPEDANCE: 50 OHMS
 VSWR: 1.20:1 MAX

MECHANICAL

MATERIALS BODY BNC: NI PLATED BRASS
 CONTACT: BeCu, Si PLATED
 INSULATOR: TEFLON
 INTERFACE: MIL-STD-348A



				FAIRVIEW MICROWAVE INC.	
				ALLEN, TX 75013 WWW.FAIRVIEWMICROWAVE.COM	
				TITLE	
				BNC F/F ADAPTER 50 OHMS	
SIZE	CAGE CODE	DWG NO	REV		
A	3FKR5	SM3415	--		
SCALE			SHEET		