

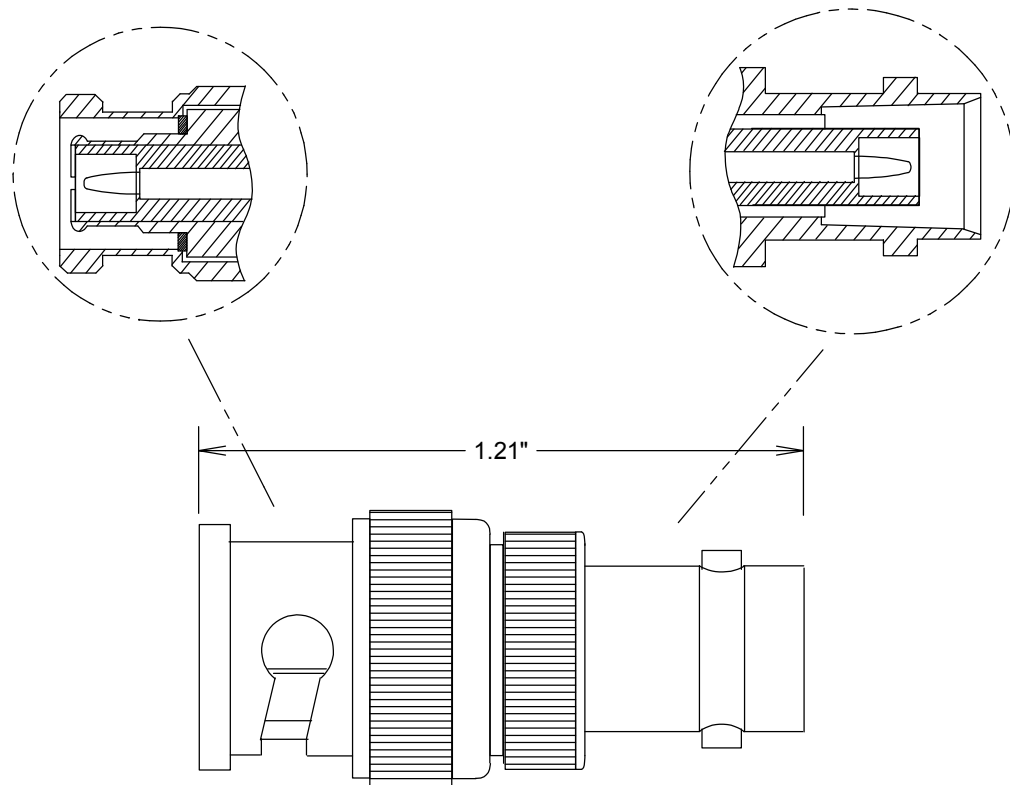
BNC/M-BNC/F REVERSE POLARITY 4 GHZ ADAPTER

SM3401

SPECIFICATIONS

ELECTRICAL
 FREQUENCY: 0-4 GHZ
 VSWR: 1.2:1 MAX

MECHANICAL
 MATERIAL BODY: NICKEL PLATED BRASS
 CONTACTS: Au PLATED
 INTERFACE: MIL-STD-348A



				FAIRVIEW MICROWAVE INC.	
				ALLEN, TX 75013 WWW.FAIRVIEWMICROWAVE.COM	
				TITLE	
				BNC/M-BNC/F REVERSE POLARITY 4 GHZ ADAPTER	
SIZE	CAGE CODE	DWG NO	REV		
A	3FKR5	SM3401	--		
SCALE			SHEET		