

7/16 M/F RA DIN ADAPTER

SM3397

SPECIFICATIONS

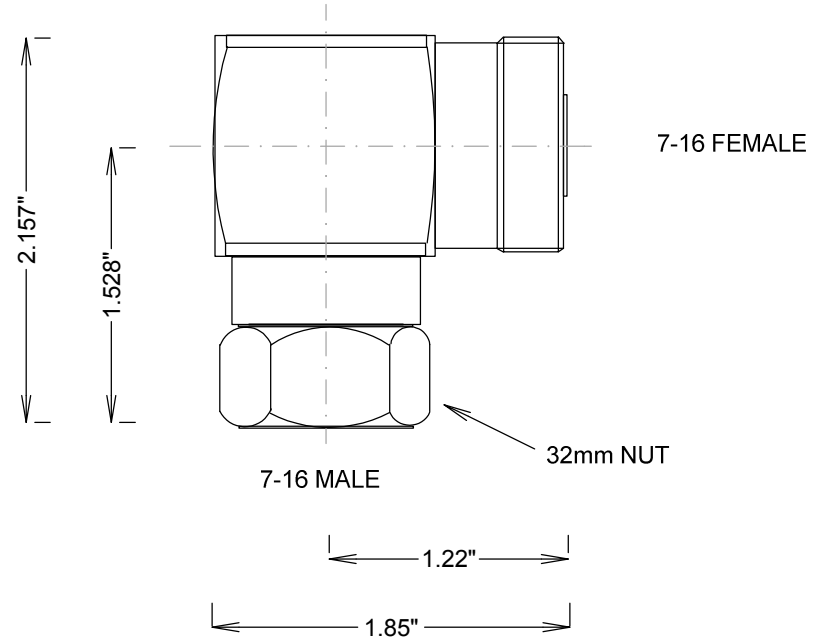
ELECTRICAL

FREQUENCY: 0-6 GHZ
 IMPEDANCE: 50 OHMS
 VSWR: 1.25:1 MAX
 PIM; 160dbc typ for 2 carriers @ 20W

MECHANICAL

MATERIALS 7/16 BODY: TRIMETAL PLATED BRASS
 MATERIALS CONTACTS SI PLATING
 RECOMMENDED TORQUE 7-16 221 IN-LBS
 DURABILITY: 500 CYCLES MIN

ENVIRONMENTAL PER DIN 47223
 OPERATING TEMP: -45 TO +80 DEG C



				FAIRVIEW MICROWAVE INC.	
				ALLEN, TX 75013 WWW.FAIRVIEWMICROWAVE.COM	
				TITLE	
				7/16 M/F RA DIN ADAPTER	
SIZE	CAGE CODE	DWG NO	REV		
A	3FKR5	SM3397	--		
SCALE			SHEET		