

# 7mm-SMA 18GHZ PRECISION ADAPTERS

SM3360, SM3362

## SPECIFICATIONS

### ELECTRICAL

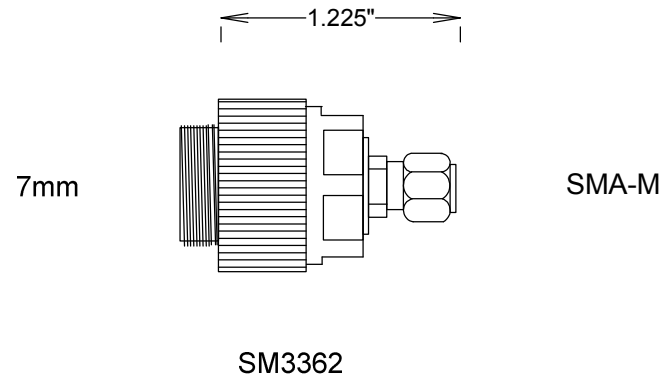
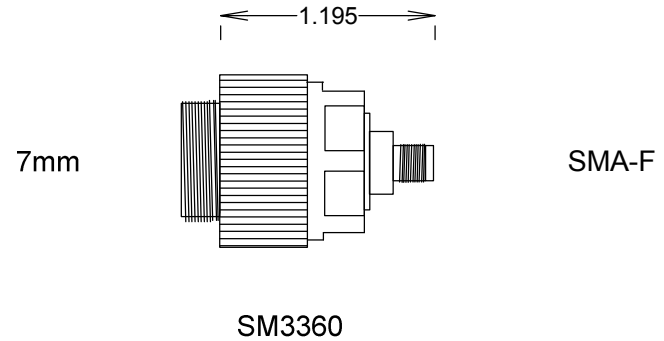
FREQUENCY: 0-18 GHZ  
 IMPEDANCE: 50 OHMS  
 VSWR: 1.15:1 MAX

### MECHANICAL

MATERIALS BODY PASS STAINLESS STEEL  
 MATERIALS CONTACTS BeCu Au PLATING

### ENVIRONMENTAL

CORROSION MIL-STD-202  
 VIBRATION MIL-STD-202  
 SHOCK MIL-STD-202



				<b>FAIRVIEW MICROWAVE INC.</b>	
				ALLEN, TX 75013 <a href="http://WWW.FAIRVIEWMICROWAVE.COM">WWW.FAIRVIEWMICROWAVE.COM</a>	
				TITLE	
				7mm-SMA 18GHZ PRECISION ADAPTERS	
SIZE		CAGE CODE	DWG NO	REV	
<b>A</b>		3FKR5	<b>SM3360, SM3362</b>	-	
SCALE			SHEET		