

3.5/M-3.5/F PUSH-ON ADAPTER

SM3323

SPECIFICATIONS

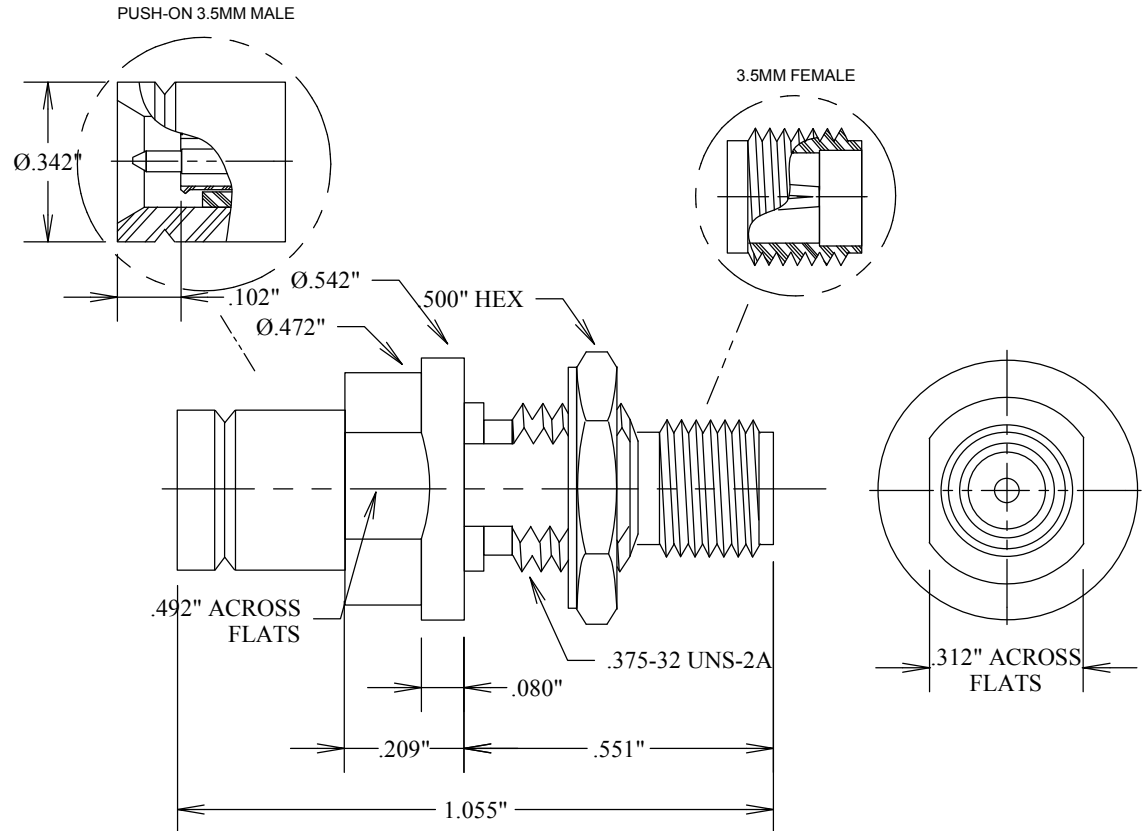
ELECTRICAL
 50 OHMS
 VSWR 1.20:1 MAX @ 34 GHZ
 FREQUENCY: 0-34 GHZ
 VOLTAGE RATING: 335V RMS
 DIELECTRIC WITHSTANDING VOLTAGE: 1000V RMS

MECHANICAL
 500 CYCLES MIN

ENVIRONMENTAL
 -55°C TO +125°C

MATERIALS
 BODY: Au PLATED BeCu
 CONTACTS Au PLATED BeCu MIL-G-45204
 INSULATOR: TEFLON

ROHS COMPLIANT



				FAIRVIEW MICROWAVE INC.			
				ALLEN, TX 75013 WWW.FAIRVIEWMICROWAVE.COM			
				TITLE			
				3.5/M-3.5/F PUSH-ON ADAPTER			
SIZE		CAGE CODE		DWG NO		REV	
A		3FKR5		SM3323		--	
SCALE				SHEET			