

# 3.5-3.5mm F/F FLANGE ADAPTER

SM3313

## SPECIFICATIONS

### ELECTRICAL

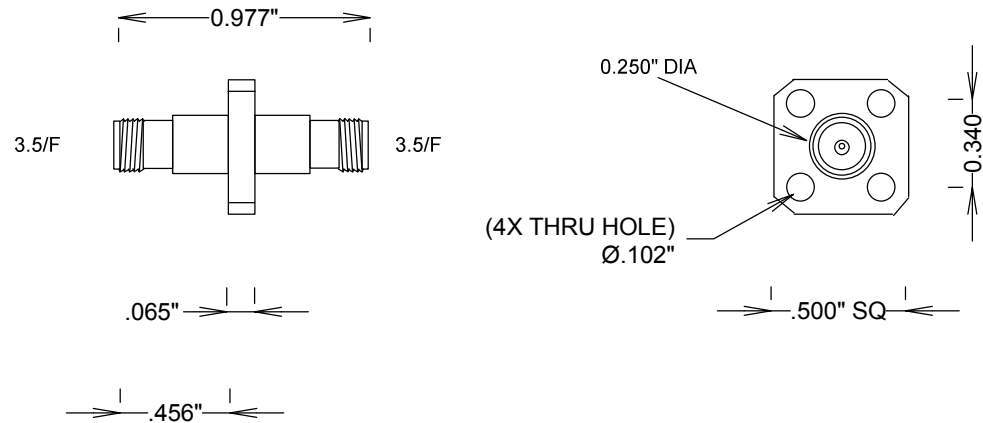
FREQUENCY: 0-34 GHZ  
 IMPEDANCE: 50 OHMS  
 VSWR: 1.25:1 MAX

### MECHANICAL

500 CYCLES MIN  
 4.0 IN-OUNCES MIN CONTACT TORQUE  
 8-10 IN-LBS COUPLING NUT MATING TORQUE  
 DURABILITY: 500 CYCLES MIN.  
 TEMPERATURE RANGE: -55 TO +100 DEG C

### MATERIALS

BODY PASS STAINLESS STEEL  
 CONTACTS BeCu  
 CONTACT PLATING: Au MIL-G-45204  
 DIELECTRIC REXOLITE  
 ROHS COMPLIANT



				<b>FAIRVIEW MICROWAVE INC.</b>	
				ALLEN, TX 75013 <a href="http://WWW.FAIRVIEWMICROWAVE.COM">WWW.FAIRVIEWMICROWAVE.COM</a>	
				TITLE	
				<b>3.5-3.5mm F/F FLANGE ADAPTER</b>	
SIZE	CAGE CODE	DWG NO	<b>SM3313</b>		
<b>A</b>	<b>3FKR5</b>				
SCALE				SHEET	
				REV	F