

# BMA (OSP) TO SMA ADAPTERS

SM3297A

## SPECIFICATIONS

### ELECTRICAL

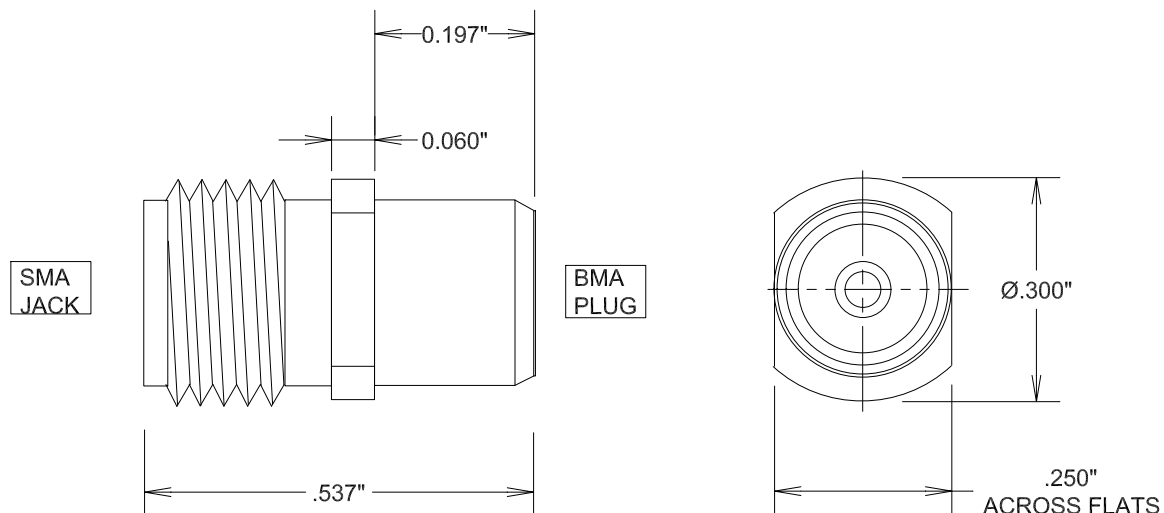
FREQUENCY: 0-18 GHZ  
 IMPEDANCE: 50 OHMS  
 VSWR 1.15:1 MAX  
 (BMA GOOD TO 22GHZ;  
 SMA MAY MODE ABOUT 20.5GHZ)

### MECHANICAL

DURABILITY: 500 CYCLES MIN.  
 TEMPERATURE RANGE: -65 TO +125 DEG C

### MATERIALS

BODY PASS STAINLESS STEEL  
 CONTACTS Au PLATING



				<b>FAIRVIEW MICROWAVE INC.</b>	
				ALLEN, TX 75013 WWW.FAIRVIEWMICROWAVE.COM	
				TITLE	
				<b>BMA (OSP) TO SMA ADAPTERS</b>	
SIZE	CAGE CODE	DWG NO	REV		
<b>A</b>	3FKR5	<b>SM3297A</b>	--		
SCALE			SHEET		