

2.92 F/F ADAPTER HEX 40GHZ

SM3231

SPECIFICATIONS

ELECTRICAL

50 OHMS
VSWR 1.25:1 MAX @ 40 GHZ
FREQUENCY: 0-40 GHZ

MECHANICAL

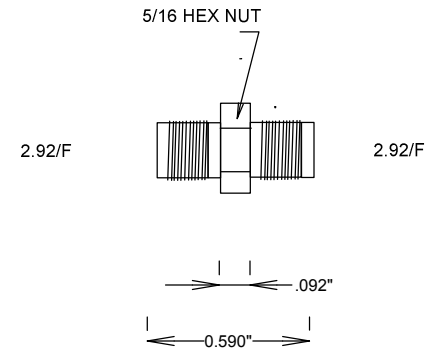
500 CYCLES MIN
INTERFACE: MIL-STD-348A

ENVIRONMENTAL

-55 DEG C TO +100 DEG C
CORROSION: MIL-STD 202
VIBRATION: MIL-STD 202

MATERIALS

BeCu CONTACTS, Au PLATED per MIL-G-45204
BODY PASSIVATED STAINLESS STEEL



FAIRVIEW MICROWAVE INC.

ALLEN, TX 75013 WWW.FAIRVIEWMICROWAVE.COM

TITLE

2.92 F/F ADAPTER HEX 40GHZ

SIZE A	CAGE CODE 3FKR5	DWG NO SM3231	REV A
------------------	--------------------	-------------------------	-----------------

SCALE	SHEET
-------	-------