

2.92mm / 2.92mm F/F BULKHEAD ADAPTER 40GHZ

SM3226

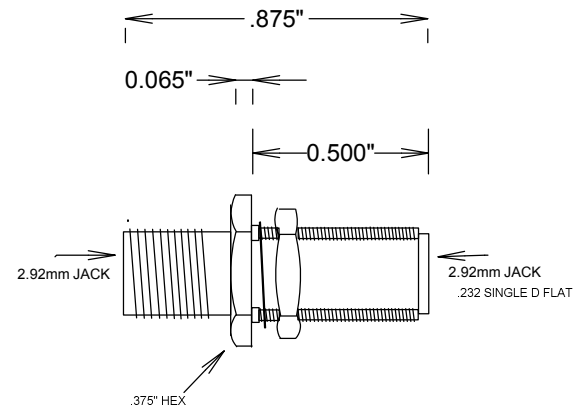
SPECIFICATIONS

ELECTRICAL
 50 OHMS
 VSWR 1.25:1 MAX @ 40 GHZ
 FREQUENCY: 0-40 GHZ
 MODE FREE TO 46 GHZ

MECHANICAL
 500 CYCLES MIN
 4.0 INCH-OUNCES MIN CONTACT TORQUE
 8-10 LBS COUPLING NUT MATING TORQUE

ENVIRONMENTAL
 -55 TO +100°C

MATERIALS
 BODY: PASSIVATED STAINLESS STEEL, Au PLATING
 CONTACTS: BeCu Au PLATED MIL-G-45204



RECOMMENDED PANEL CUTOUT

FAIRVIEW MICROWAVE INC.

ALLEN, TX 75013 WWW.FAIRVIEWMICROWAVE.COM

TITLE

2.92mm / 2.92mm F/F BULKHEAD
 ADAPTER 40GHZ

SIZE	CAGE CODE	DWG NO	REV
A	3FKR5	SM3226	--
SCALE	SHEET		