

# 2.92mm / 2.92mm F/F BULKHEAD ADAPTER 40GHZ

SM3225

## SPECIFICATIONS

### ELECTRICAL

50 OHMS  
 VSWR 1.25:1 MAX @ 40 GHZ  
 FREQUENCY: 0-40 GHZ  
 MODE FREE TO 46 GHZ

### MECHANICAL

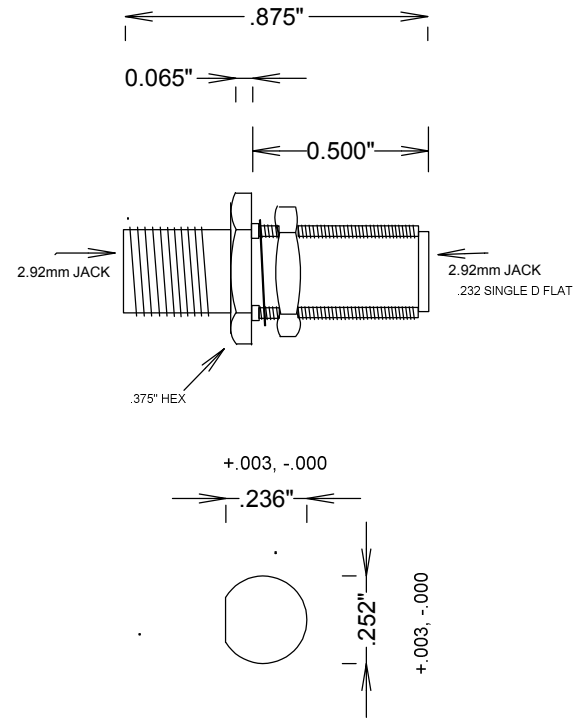
500 CYCLES MIN  
 4.0 INCH-OUNCES MIN CONTACT TORQUE  
 8-10 LBS COUPLING NUT MATING TORQUE

### ENVIRONMENTAL

-55 TO +100°C

### MATERIALS

BODY: PASSIVATED STAINLESS STEEL  
 CONTACTS: BeCu Au PLATED



RECOMMENDED PANEL CUTOUT

				<b>FAIRVIEW MICROWAVE INC.</b>	
				ALLEN, TX 75013 <a href="http://WWW.FAIRVIEWMICROWAVE.COM">WWW.FAIRVIEWMICROWAVE.COM</a>	
				TITLE	
				2.92mm / 2.92mm F/F BULKHEAD ADAPTER 40GHZ	
SIZE	CAGE CODE	DWG NO	REV		
<b>A</b>	3FKR5	<b>SM3225</b>	<b>C</b>		
SCALE			SHEET		