

2.4mm-N ADAPTERS S STEEL 18GHZ

SM3080, SM3085, SM3090, SM3095

SPECIFICATIONS

ELECTRICAL

FREQUENCY: 0-18 GHZ
 IMPEDANCE: 50 OHMS
 VSWR: 1.15:1 MAX @ 18 GHZ
 VRMS: 500 V SEA LEVEL

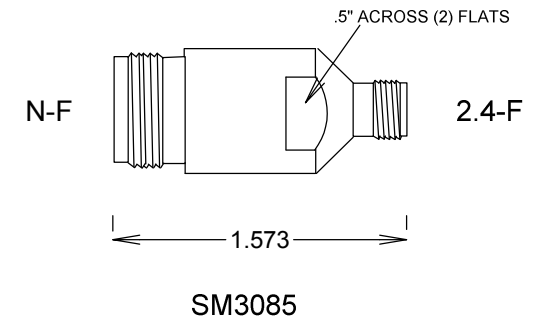
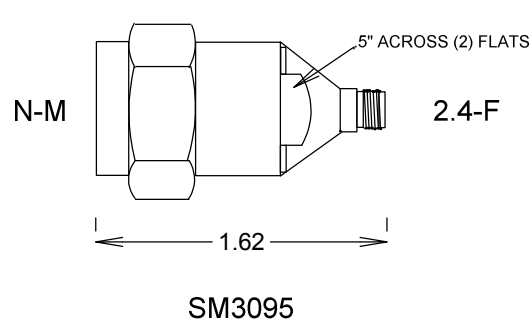
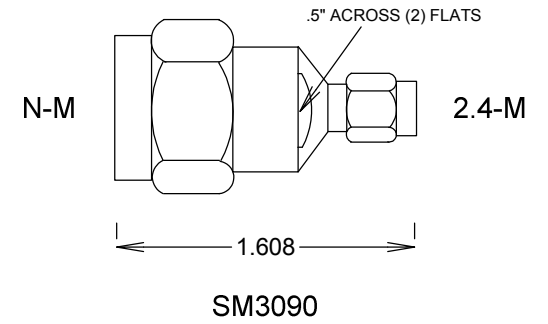
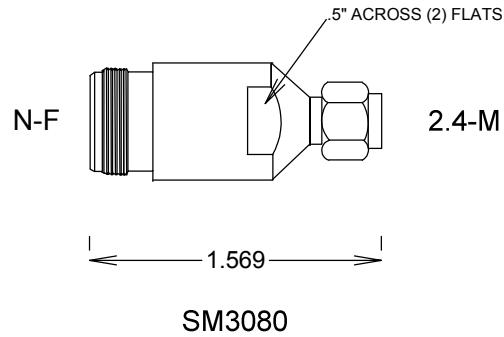
MECHANICAL

MATERIALS BODY: PASSIVATED S STEEL
 MATERIALS CONTACTS: AU PLATING

DURABILITY: 500 CYCLES MIN

ENVIRONMENTAL

-65 TO +165 DEG C
 CORROSION MIL-STD-202
 VIBRATION MIL-STD-202
 SHOCK MIL-STD-202



				FAIRVIEW MICROWAVE INC.			
				ALLEN, TX 75013 WWW.FAIRVIEWMICROWAVE.COM			
				TITLE			
				2.4mm-N ADAPTERS S STEEL 18GHZ			
		SIZE	CAGE CODE	DWG NO		REV	
		A	3FKR5	SM3080, SM3085, SM3090, SM3095		B	
				SCALE		SHEET	