

ADAPTER, GMS PLUG-SMA FEMALE 2 HOLE

SM2924

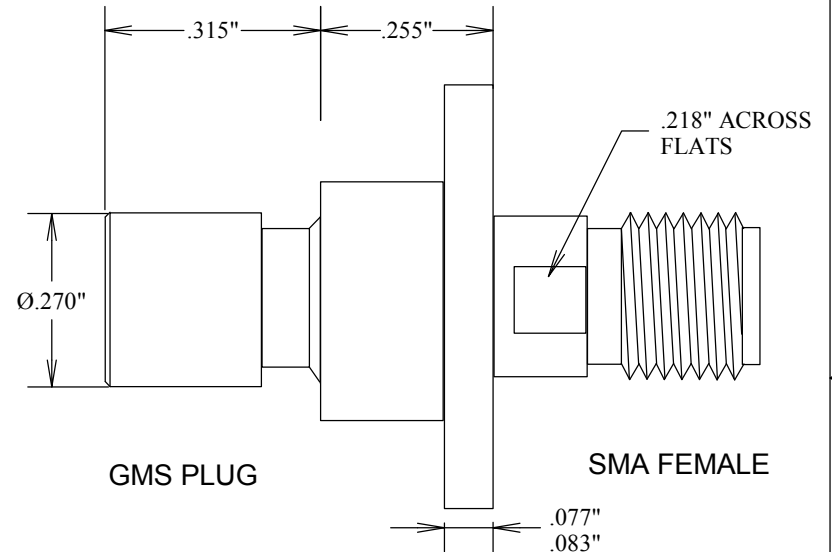
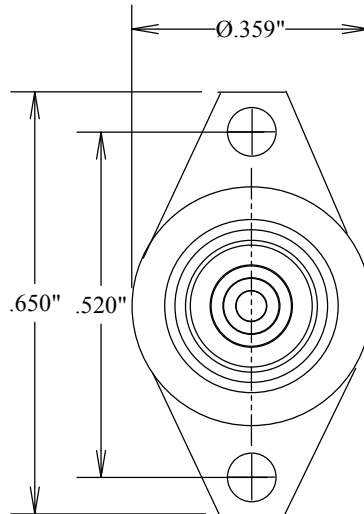
SPECIFICATIONS

ELECTRICAL
 50 OHMS
 VSWR 1.20:1 MAX
 FREQUENCY: DC-23 GHZ

MECHANICAL

ENVIRONMENTAL
 -65 DEG C TO +165 DEG C

MATERIALS
 BODY: PASSIVATED STAINLESS STEEL
 CENTER CONTACT: AU PLATED &
 NICKEL PLATED BeCu
 INSULATION: TEFLON
 DURABILITY: 5000 CYCLES



				FAIRVIEW MICROWAVE INC.	
				ALLEN, TX 75013 WWW.FAIRVIEWMICROWAVE.COM	
				TITLE	
				ADAPTER, GMS PLUG-SMA FEMALE 2 HOLE	
SIZE	CAGE CODE	DWG NO	REV		
A	3FKR5	SM2924	--		
SCALE			SHEET		