

# ADAPTER, GMS JACK-SMA FEMALE

SM2913

## SPECIFICATIONS

**ELECTRICAL**  
50 OHMS  
VSWR 1.30:1 MAX  
FREQUENCY: DC-23 GHZ

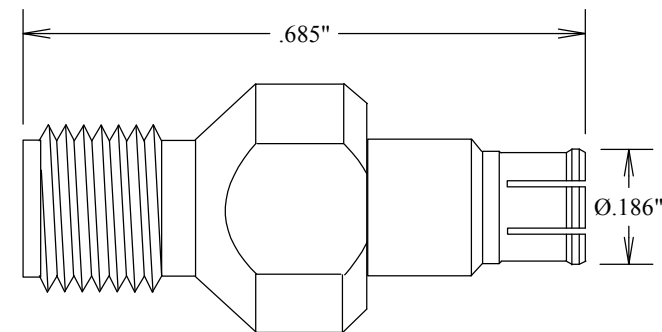
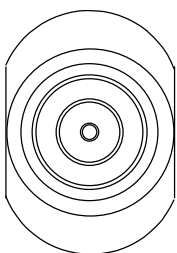
**MECHANICAL**

**ENVIRONMENTAL**  
-65 DEG C TO +165 DEG C

**MATERIALS**  
BODY: PASSIVATED STAINLESS STEEL  
CENTER CONTACT: AU PLATED &  
NICKEL PLATED BeCu

INSULATION: TEFLON  
DURABILITY: 5000 CYCLES

.250" ACROSS  
FLATS



SMA FEMALE

GMS JACK

				<b>FAIRVIEW MICROWAVE INC.</b>			
				ALLEN, TX 75013 WWW.FAIRVIEWMICROWAVE.COM			
				TITLE			
				<b>ADAPTER, GMS JACK-SMA FEMALE</b>			
SIZE		CAGE CODE		DWG NO		REV	
<b>A</b>		<b>3FKR5</b>		<b>SM2913</b>		--	
SCALE						SHEET	