

MCX T J-J-J

SM2551

SPECIFICATIONS

ELECTRICAL:

VSWR 2:1

IMPEDANCE: 50 OHMS

FREQUENCY: 0-2 GHZ 1 PORT UNTERMINATED
0-6 GHZ ALL PORTS TERMINATED

MECHANICAL:

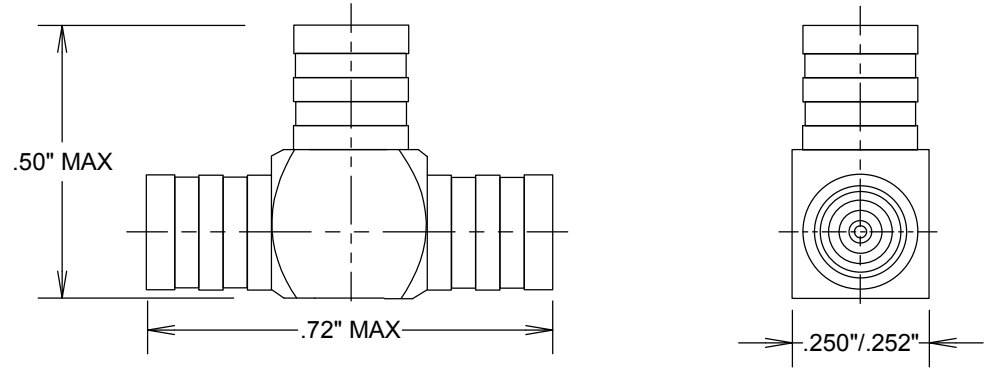
CONNECTORS: Au PLATED BRASS

CONTACT PLATING: Au PLATING
PER MIL-G-45204

HOUSING: Au PLATED BRASS

ENVIRONMENTAL:

TEMP: -45 C TO +125 C



FAIRVIEW MICROWAVE INC.

ALLEN, TX 75013 WWW.FAIRVIEWMICROWAVE.COM

TITLE

MCX T J-J-J

SIZE	CAGE CODE	DWG NO.	REV
A	3FKR5	SM2551	--

SCALE

SHEET