

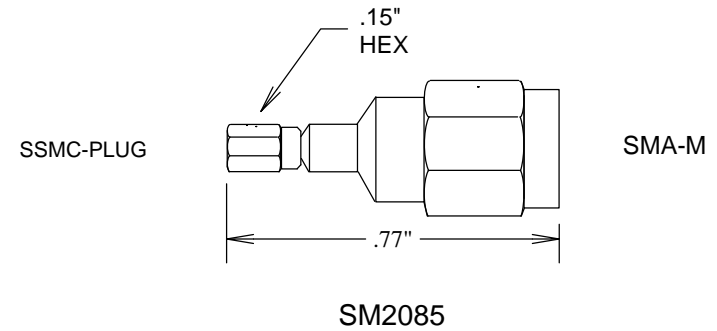
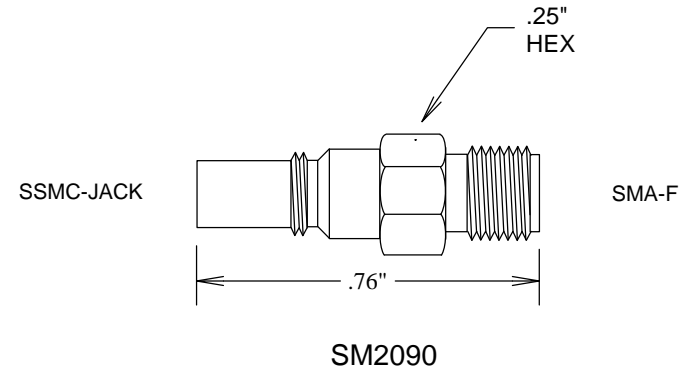
# SMA-SSMC ADAPTERS

SM2085, SM2090

## SPECIFICATIONS

ELECTRICAL  
 50 OHMS  
 FREQUENCY: 0-12 GHZ  
 VSWR 1.25:1 MAX @ 12 GHZ

BODY: BRASS, Au PLATING  
 FEMALE CONTACTS: BeCu, Au PLATING  
 MALE CONTACTS: BRASS, Au PLATING



				<b>FAIRVIEW MICROWAVE INC.</b>	
				ALLEN, TX 75013 <a href="http://WWW.FAIRVIEWMICROWAVE.COM">WWW.FAIRVIEWMICROWAVE.COM</a>	
				TITLE	
				<b>SMA-SSMC ADAPTERS</b>	
		SIZE	CAGE CODE	DWG NO	REV
		<b>A</b>	<b>3FKR5</b>	<b>SM2085, SM2090</b>	--
				SCALE	SHEET