

BNC/F-SSMB/JACK 12 GHZ

SM2083

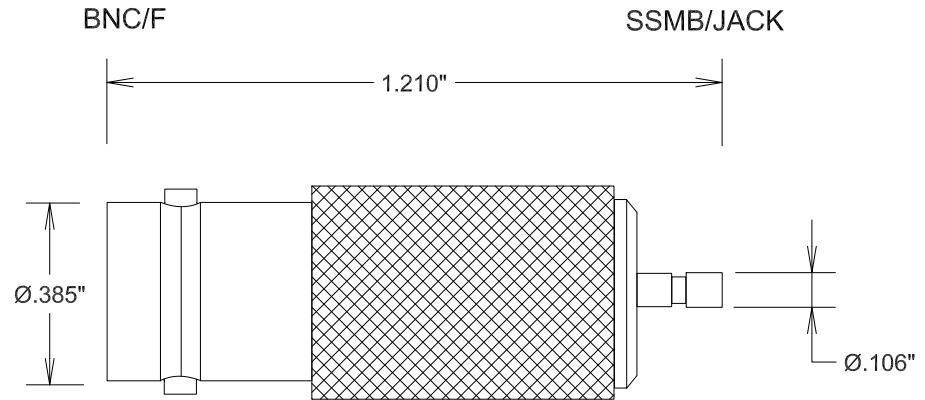
SPECIFICATIONS

ELECTRICAL

FREQUENCY: 0-12 GHZ
IMPEDENCE: 50 OHMS
VSWR: 1.2:1 MAX

MECHANICAL

MATERIAL BODY: NICKEL PLATED BRASS
CONTACTS: Au PLATED PER MIL-G-45204
INTERFACE: MIL-STD-348A
TEMPERATURE RATING: -55° +110°C
ROHS COMPLIANT



FAIRVIEW MICROWAVE INC.

ALLEN, TX 75013 WWW.FAIRVIEWMICROWAVE.COM

TITLE

BNC/F-SSMB/JACK 12 GHZ

SIZE	CAGE CODE	DWG NO	REV
A	3FKR5	SM2083	-

SCALE

SHEET