

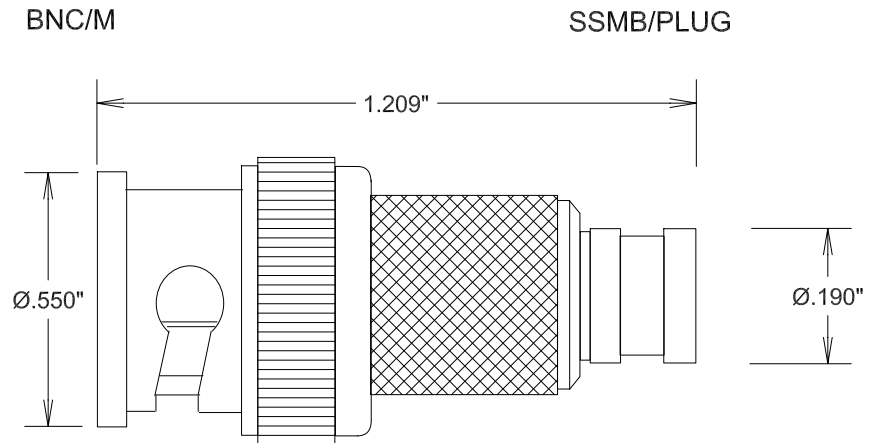
# BNC/M-SSMB/PLUG 12 GHZ

SM2082

## SPECIFICATIONS

**ELECTRICAL**  
FREQUENCY: 0-12 GHZ  
IMPEDENCE: 50 OHMS  
VSWR: 1.2:1 MAX

**MECHANICAL**  
MATERIAL BODY: NICKEL PLATED BRASS  
CONTACTS: Au PLATED PER MIL-G-45204  
INTERFACE: MIL-STD-348A  
TEMPERATURE RATING: -55° +110°C  
ROHS COMPLIANT



**FAIRVIEW MICROWAVE INC.**

ALLEN, TX 75013 WWW.FAIRVIEWMICROWAVE.COM

TITLE

**BNC/M-SSMB/PLUG 12 GHZ**

| SIZE     | CAGE CODE | DWG NO        | REV |
|----------|-----------|---------------|-----|
| <b>A</b> | 3FKR5     | <b>SM2082</b> | -   |

SCALE

SHEET