

SMB/PLUG-SMA/FEMALE ADAPTER

SM2057

SPECIFICATIONS

ELECTRICAL

FREQUENCY: 0-4 GHZ

IMPEDANCE: 50 OHMS

VSWR: 1.2:1 MAX @ 4GHZ

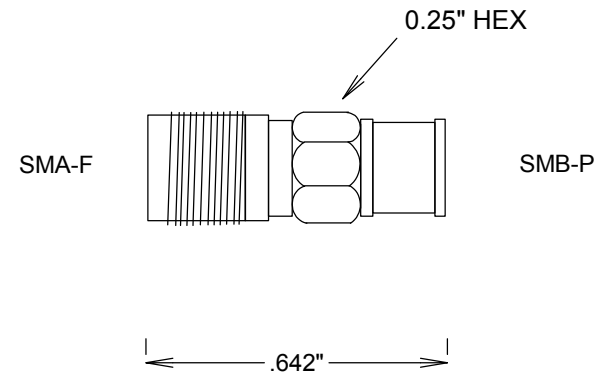
MECHANICAL

MATERIAL BODY: NICKEL PLATED BRASS

CONTACTS: BeCu

CONTACT PLATING: Au 30 μ "

ROHS COMPLIANT



FAIRVIEW MICROWAVE INC.

ALLEN, TX 75013 WWW.FAIRVIEWMICROWAVE.COM

TITLE

SMB/PLUG-SMA/FEMALE ADAPTER

SIZE

A

CAGE CODE

3FKR5

DWG NO

SM2057

REV

--

SCALE

SHEET