

# SMA MALE TO F FEMALE IMPEDANCE MATCHING PAD

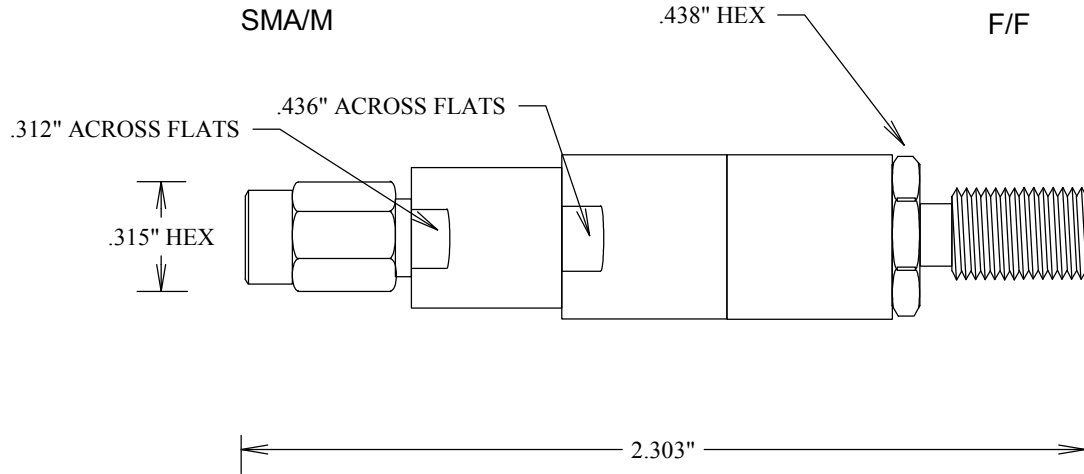
SI1591

## SPECIFICATIONS

### ELECTRICAL:

FREQUENCY: 0-2 GHZ  
 IMPEDANCE: SMA: 50 OHMS  
                   F: 75 OHMS  
 VSWR: 1.40:1 MAX  
 INPUT POWER: 1 WATT AVERAGE

MECHANICAL:  
 ROHS COMPLIANT



				<b>FAIRVIEW MICROWAVE INC.</b>	
				ALLEN, TX 75013 WWW.FAIRVIEWMICROWAVE.COM	
				TITLE	
				SMA MALE TO F FEMALE IMPEDANCE MATCHING PAD	
SIZE	CAGE CODE	DWG NO	REV		
A	3FKR5	SI1591			
SCALE			SHEET		