

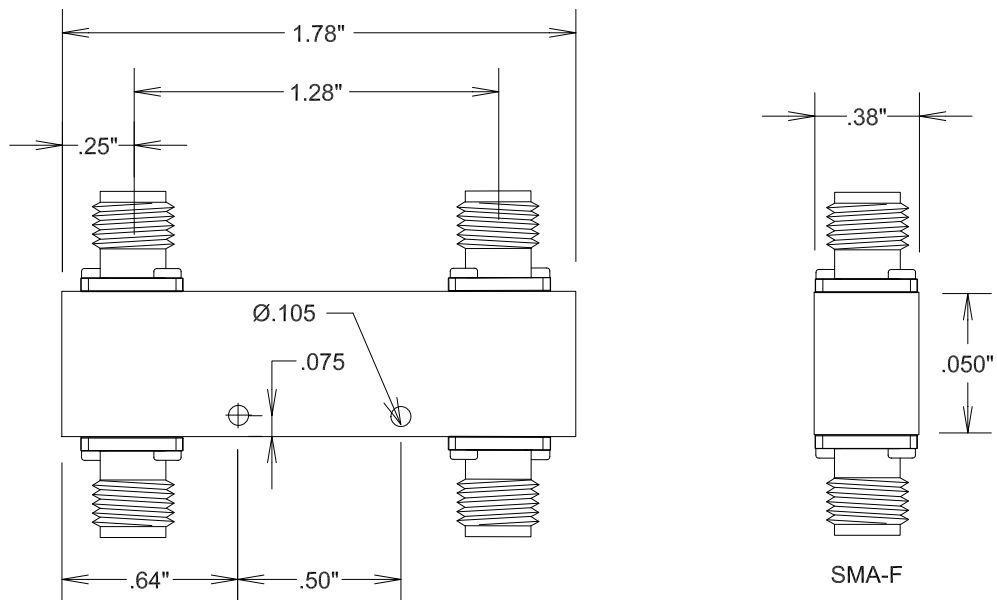
SPECIFICATIONS

ELECTRICAL:

FREQUENCY: 1-2 GHZ
 VSWR 1.10:1 MAX
 COUPLING: 3DB
 POWER CW: 50 WATTS
 POWER PEAK: 3KW
 ISOLATION: 28 DB MIN
 LOSS: 3.1 +/- .6 DB
 IMPEDANCE: 50 OHMS

ENVIRONMENTAL:

TEMP: -55 C TO +125 C



				FAIRVIEW MICROWAVE INC.	
				ALLEN, TX 75013 WWW.FAIRVIEWMICROWAVE.COM	
				TITLE	
				SMA 90 DEGREE HYBRID 1-2 GHZ	
SIZE	CAGE CODE	DWG NO	REV		
A	3FKR5	SH7203	A		
SCALE				SHEET	