

# STANDARD GAIN HORN 20 DB GAIN WR430

SH1430-20

## SPECIFICATIONS

### ELECTRICAL:

FREQUENCY: 1.70-2.60 GHZ  
 TYPICAL GAIN VARIATION:  $\pm 1.5$  TO  $\pm 2.0$  DB  
 GAIN: 20 DB

3 DB BEAM WIDTH\*:  
 E PLANE:  $17.3^\circ$   
 H PLANE:  $17.4^\circ$

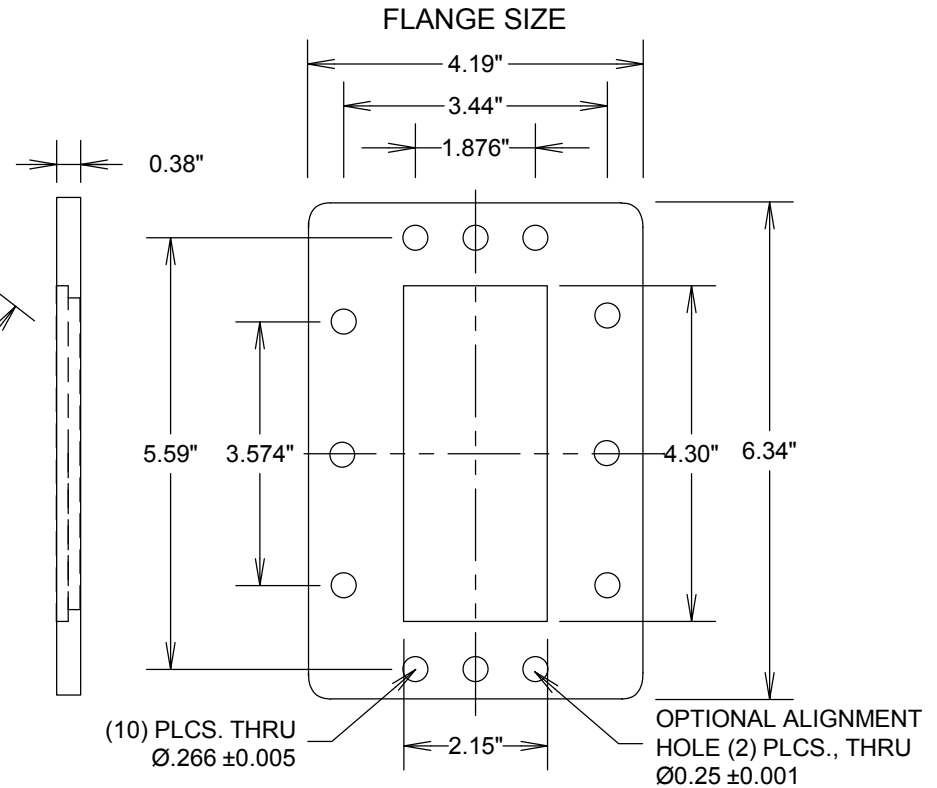
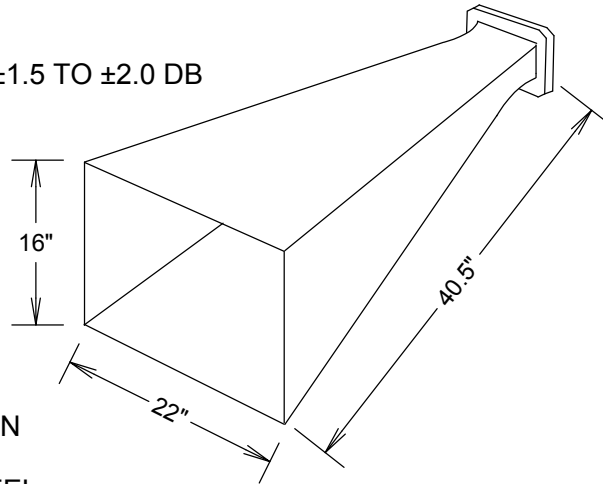
### MATERIALS:

BODY: ALUMINUM

FINISH: UNIQUE CORROSION  
 RESISTANT  
 316 STAINLESS STEEL  
 EPOXY COATING  
 IAW MIL-F-14072

FLANGE: ALUMINUM

\*GAIN & 3 DB BEAM WIDTH VALUES HAVE  
 CALCULATED BY COMPUTER SIMULATION



**FAIRVIEW MICROWAVE INC.**

ALLEN, TX 75013 WWW.FAIRVIEWMICROWAVE.COM

TITLE

**STANDARD GAIN HORN 20 DB GAIN WR430**

SIZE	CAGE CODE	DWG NO	REV
<b>A</b>	<b>3FKR5</b>	<b>SH1430-20</b>	--
SCALE		SHEET	