

STANDARD GAIN HORN 20 DB GAIN WR42

SH142-20

SPECIFICATIONS

ELECTRICAL:

FREQUENCY: 18.0 - 26.5 GHZ
 TYPICAL GAIN VARIATION: ± 1.5 TO ± 2.0 DB
 GAIN: 20 DB

3 DB BEAM WIDTH*:

E PLANE: 17.5°
 H PLANE: 17.8°

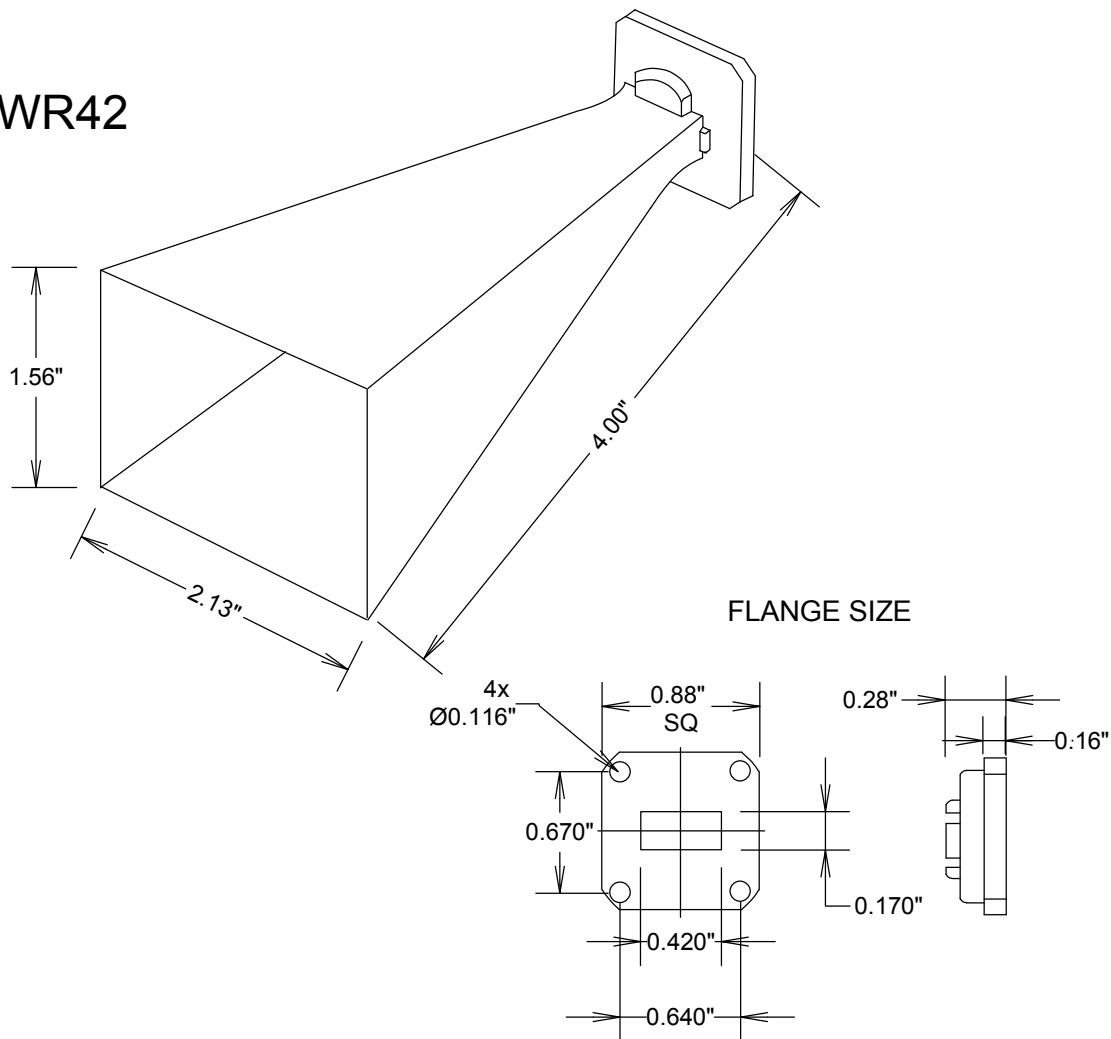
MATERIALS:

BODY: ALUMINUM

FINISH: UNIQUE CORROSION
 RESISTANT
 316 STAINLESS STEEL
 EPOXY COATING
 IAW MIL-F-14072

FLANGE: BRASS

*GAIN & 3 DB BEAM WIDTH VALUES HAVE
 CALCULATED BY COMPUTER SIMULATION



FAIRVIEW MICROWAVE INC.

ALLEN, TX 75013 WWW.FAIRVIEWMICROWAVE.COM

TITLE

STANDARD GAIN HORN 20 DB GAIN WR90

SIZE	CAGE CODE	DWG NO	REV
A	3FKR5	SH142-20	--
SCALE		SHEET	