

# SMA F'S ISOLATOR 800-900 GHZ

SFI8090

## SPECIFICATIONS

### ELECTRICAL

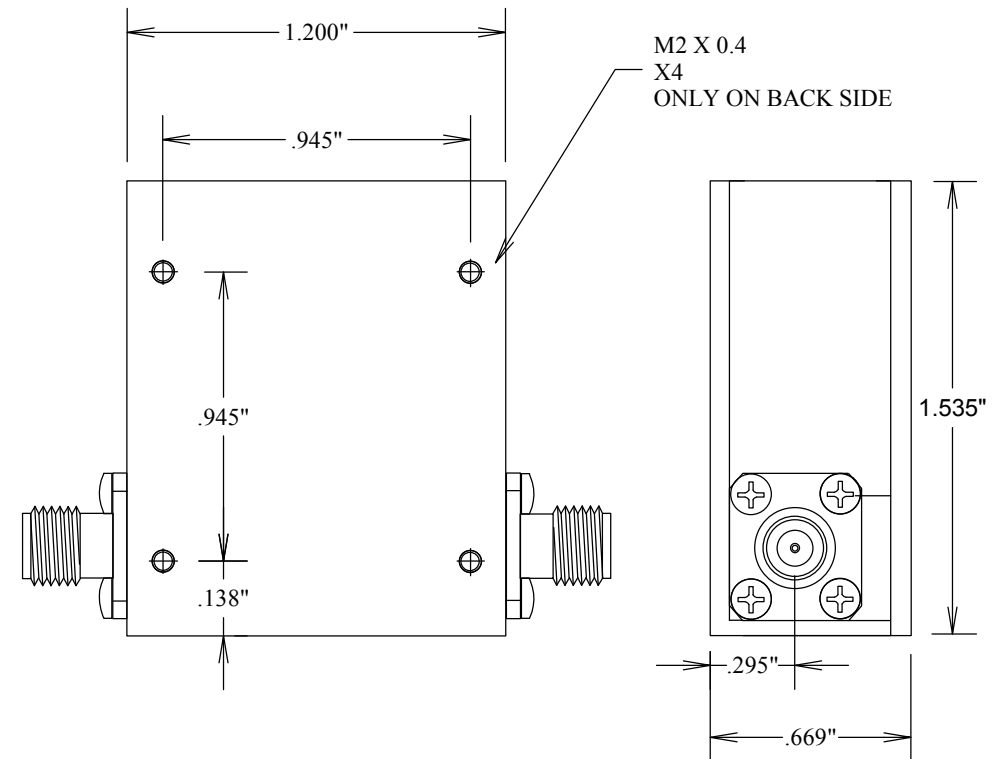
FREQUENCY: 800-900 MHZ  
 IMPEDANCE: 50 OHMS  
 VSWR: 1.25:1  
 VSWR: 1.375:1 UNDER EXTREME CONDITIONS  
 INSERTION LOSS: 0.5 DB  
 INSERTION LOSS: 0.785 DB UNDER EXTREME CONDITIONS  
 AVG POWER: 100 W FORWARD  
 AVG POWER: 10 W REVERSE  
 ISOLATION: 20 DB  
 ISOLATION: 18 DB UNDER EXTREME CONDITIONS

### MECHANICAL

MATERIAL CONNECTORS: Au PLATED BRASS  
 MATERIAL CONTACTS: Au PLATED BeCu

-20°C TO +70°C

ROHS COMPLIANT



				<b>FAIRVIEW MICROWAVE INC.</b>	
				ALLEN, TX 75013 <a href="http://WWW.FAIRVIEWMICROWAVE.COM">WWW.FAIRVIEWMICROWAVE.COM</a>	
				TITLE	
				SMA F'S ISOLATOR 800-900 GHZ	
SIZE	CAGE CODE	DWG NO		REV	
<b>A</b>	<b>3FKR5</b>	<b>SFI8090</b>		--	
SCALE			SHEET		