

ISOLATOR 4-8 GHZ

SFI4080A

SPECIFICATIONS

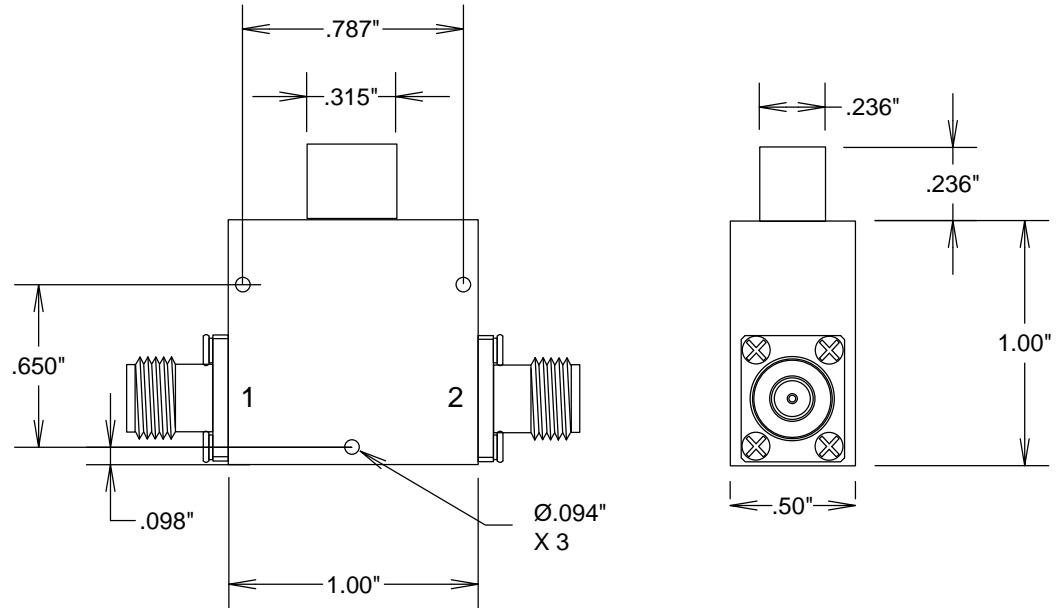
ELECTRICAL

FREQUENCY: 4-8 GHZ
 IMPEDANCE: 50 OHMS
 VSWR: 1.35:1 TYPICAL
 LOSS: 0.5DB TYPICAL
 POWER FORWARD: 10W CW
 POWER REVERSE: 1W CW
 ISOLATION: 18DB TYPICAL

MECHANICAL

HOUSING: ALUMINUM
 CONNECTORS: SMA-F, PASSIVATED STAINLESS STEEL

TYPICAL OPERATING TEMP RANGE: +25°C



FAIRVIEW MICROWAVE INC.
 ALLEN, TX 75013 WWW.FAIRVIEWMICROWAVE.COM

TITLE

ISOLATOR 4-8 GHZ

SIZE	CAGE CODE	DWG NO	REV
A	3FKR5	SFI4080A	--
SCALE		SHEET	