

ISOLATOR 18-26 GHZ

SFI1826

SPECIFICATIONS

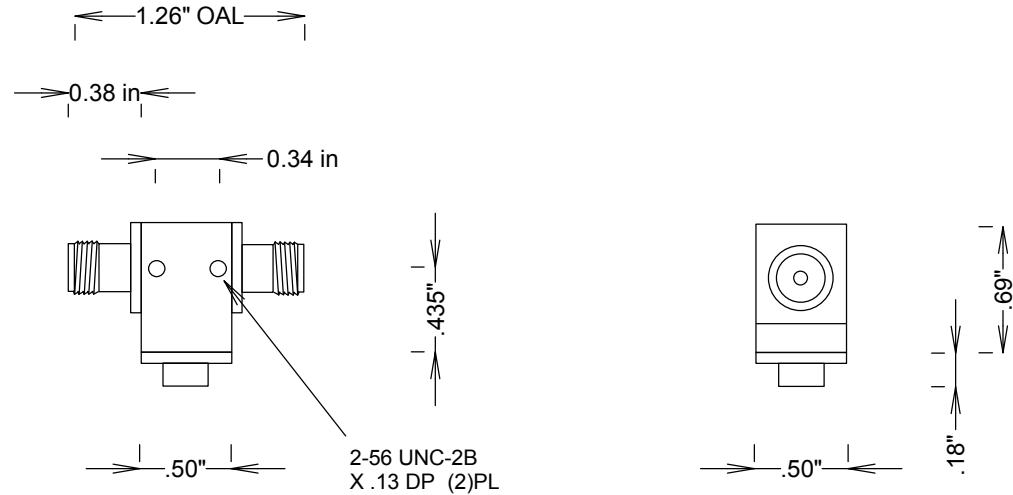
ELECTRICAL

FREQUENCY: 18-26 GHZ
IMPEDANCE: 50 OHMS
INS LOSS: 0.6 DB MAX
VSWR: 1.40:1 MAX
POWER_{in}: 1 WATT MAX
ISOLATION: 17DB MIN

MECHANICAL

HOUSING: ALUMINUM
CONNECTORS: SMA-F, Ni PLATED BRASS

-40 to +70 DEG C



FAIRVIEW MICROWAVE INC.

ALLEN, TX 75013 WWW.FAIRVIEWMICROWAVE.COM

TITLE

ISOLATOR 18-26 GHZ

SIZE	CAGE CODE	DWG NO	REV
A	3FKR5	SFI1826	
SCALE	SHEET		