

ISOLATOR 1-2GHZ

SFI1020

SPECIFICATIONS

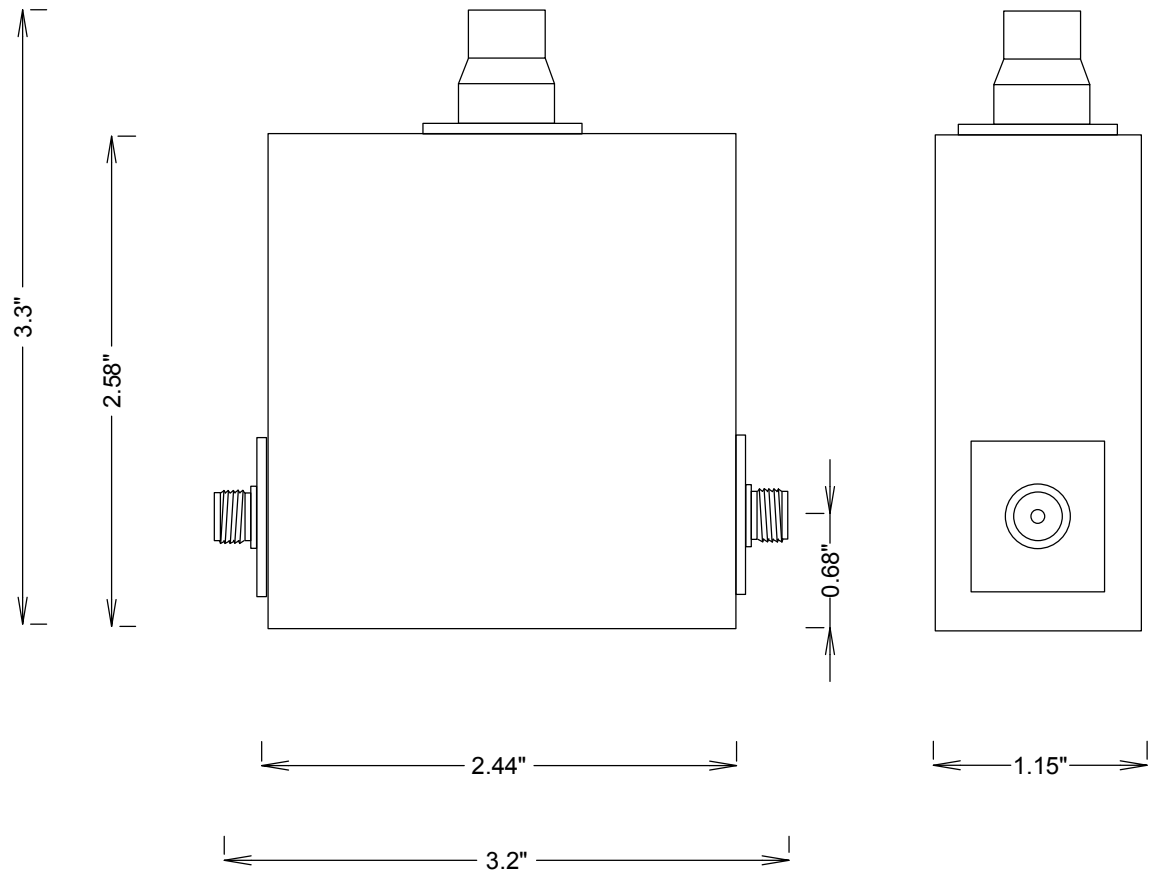
ELECTRICAL

FREQUENCY: 1-2 GHZ
IMPEDANCE: 50 OHMS
VSWR: 1.40:1 MAX
POWER_{in}: 10W MAX
ISOLATION: 19DB MIN

MECHANICAL

HOUSING: ALUMINUM
CONNECTORS: SMA-F, Ni PLATED BRASS

-40 TO +70 DEG C



				FAIRVIEW MICROWAVE INC.			
				ALLEN, TX 75013 WWW.FAIRVIEWMICROWAVE.COM			
				TITLE			
				ISOLATOR 1-2GHZ			
SIZE		CAGE CODE		DWG NO		REV	
A		3FKR5		SFI1020		--	
SCALE				SHEET			