

SMA/FEMALE ISOLATOR 8-18 GHZ

SFI0818

SPECIFICATIONS

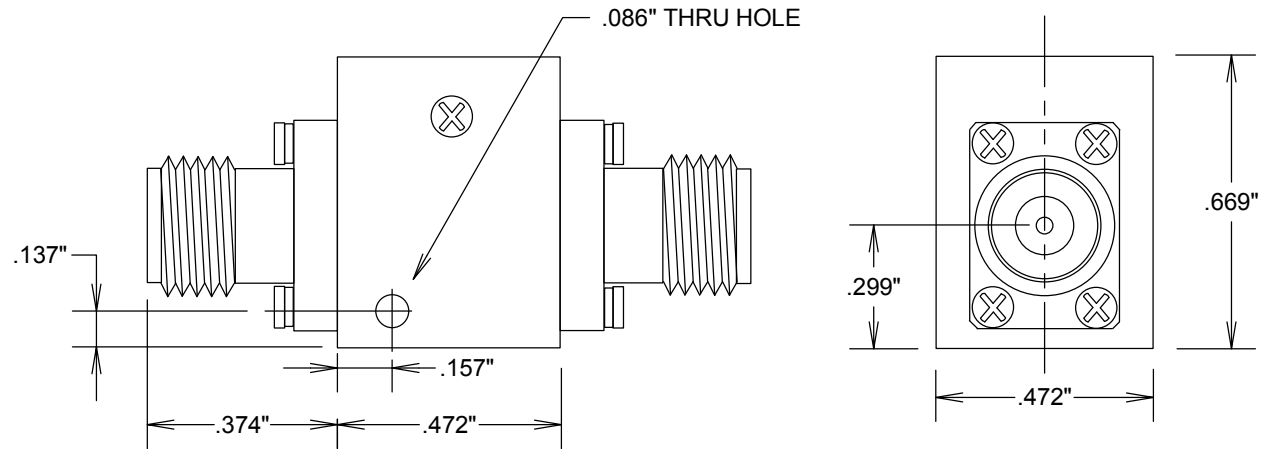
ELECTRICAL

FREQUENCY: 8-18 GHZ
 IMPEDANCE: 50 OHMS
 INS LOSS: 1 DB MAX
 VSWR: 1.50:1 MAX
 FORWARD POWER : 10W CW
 REVERSE POWER: 1W CW
 ISOLATION: 16DB MIN

MECHANICAL

HOUSING: ALUMINUM
 CONNECTORS: SMA-F, STAINLESS STEEL

TYPICAL OPERATING TEMPERATURE: +25°C



FAIRVIEW MICROWAVE INC.

ALLEN, TX 75013 WWW.FAIRVIEWMICROWAVE.COM

TITLE

SMA/FEMALE ISOLATOR 8-18 GHZ

SIZE	CAGE CODE	DWG NO	REV
A	3FKR5	SFI0818	B

SCALE	SHEET
-------	-------