

EDGE GUIDE ISOLATOR 4-18GHZ SMA F'S

SFI0418

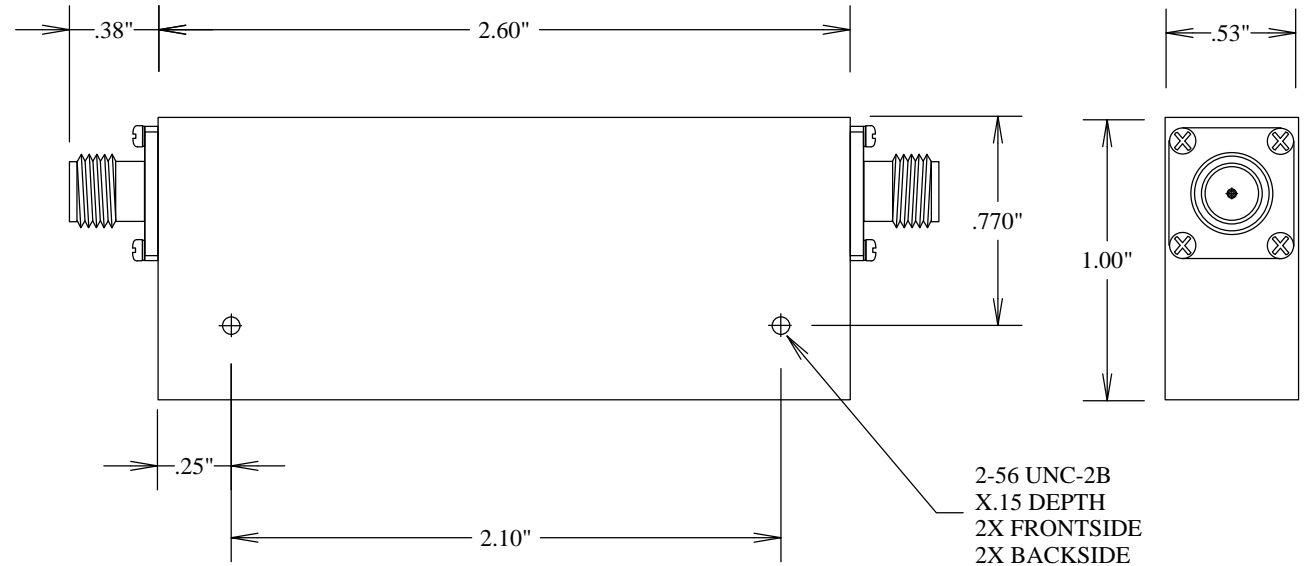
SPECIFICATIONS

ELECTRICAL

FREQUENCY: 4-18 GHZ
IMPEDANCE: 50 OHMS
VSWR: 1.50:1 MAX
INSERTION LOSS 1.5 DB MAX
FORWARD POWER: 10W CW
REVERSE POWER: 10W CW
ISOLATION: 15 DB MIN

MECHANICAL

HOUSING: ALUMINUM
CONNECTORS: SMA-F, STAINLESS STEEL
OPERATING TEMPERATURE: -54°C TO +85°C
CLOCKWISE ROTATION



FAIRVIEW MICROWAVE INC.

ALLEN, TX 75013 WWW.FAIRVIEWMICROWAVE.COM

TITLE

EDGE GUIDE ISOLATOR 4-18GHZ SMA F'S

SIZE	CAGE CODE	DWG NO	REV
A	3FKR5	SFI0418	--
SCALE	SHEET		