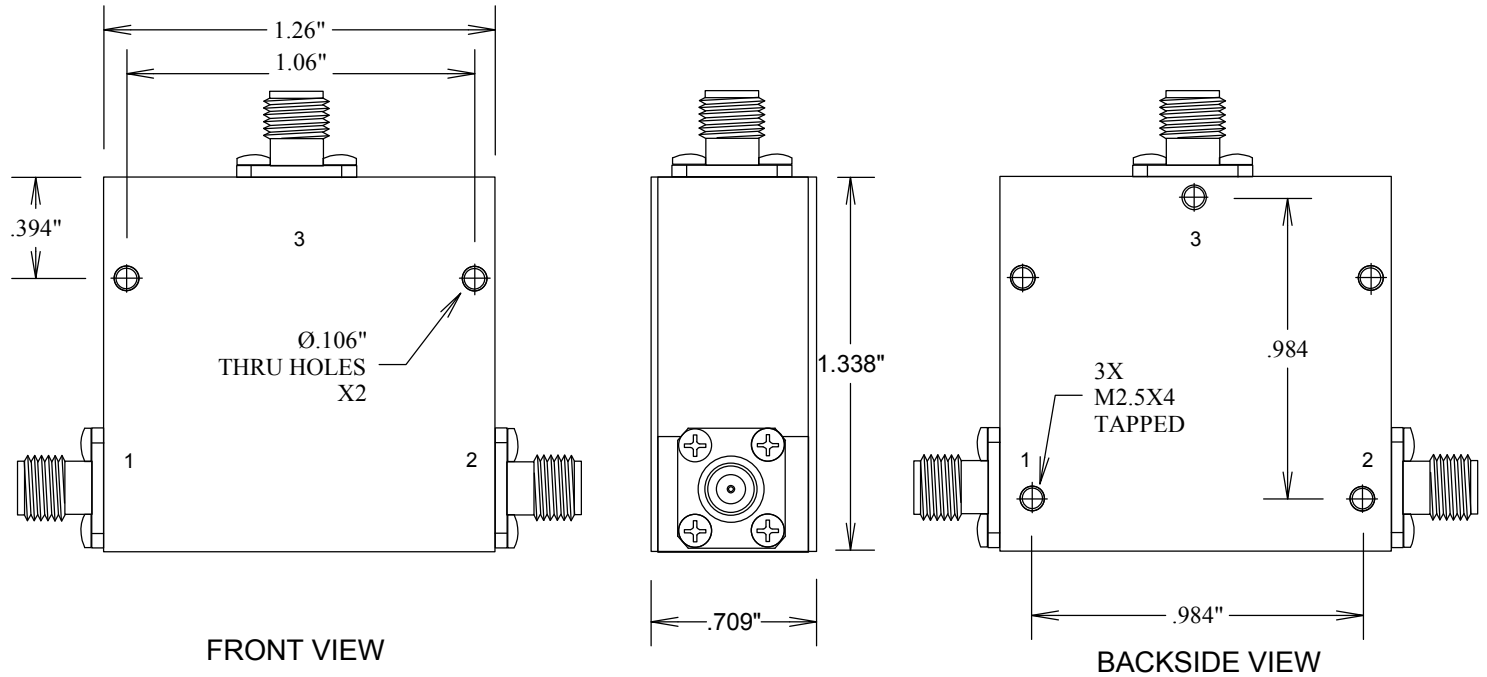


# SMA F'S CIRCULATOR 700-800 GHZ

SFC0780S



## SPECIFICATIONS

### ELECTRICAL

FREQUENCY: 700-800 MHZ  
 IMPEDANCE: 50 OHMS  
 VSWR: 1.25:1 TYP  
 INSERTION LOSS: 0.5 DB TYP  
 POWER: AVG: 10 W  
 ISOLATION: 18 DB TYP;

### MECHANICAL

MATERIAL CONNECTORS: STAINLESS STEEL  
 MATERIAL CONTACTS: Au PLATED BeCu  
 MAERIAL HOUSING: ALUMINUM  
 MATERIAL MAGNET: FeNi SOFT MAGNETIC ALLOY

TEST TEMPERATURE: +25°C

ROHS COMPLIANT

## FAIRVIEW MICROWAVE INC.

ALLEN, TX 75013 WWW.FAIRVIEWMICROWAVE.COM

TITLE

SMA F'S CIRCULATOR 700-800 GHZ

SIZE	CAGE CODE	DWG NO	REV
A	3FKR5	SFC0780S	--
SCALE		SHEET	