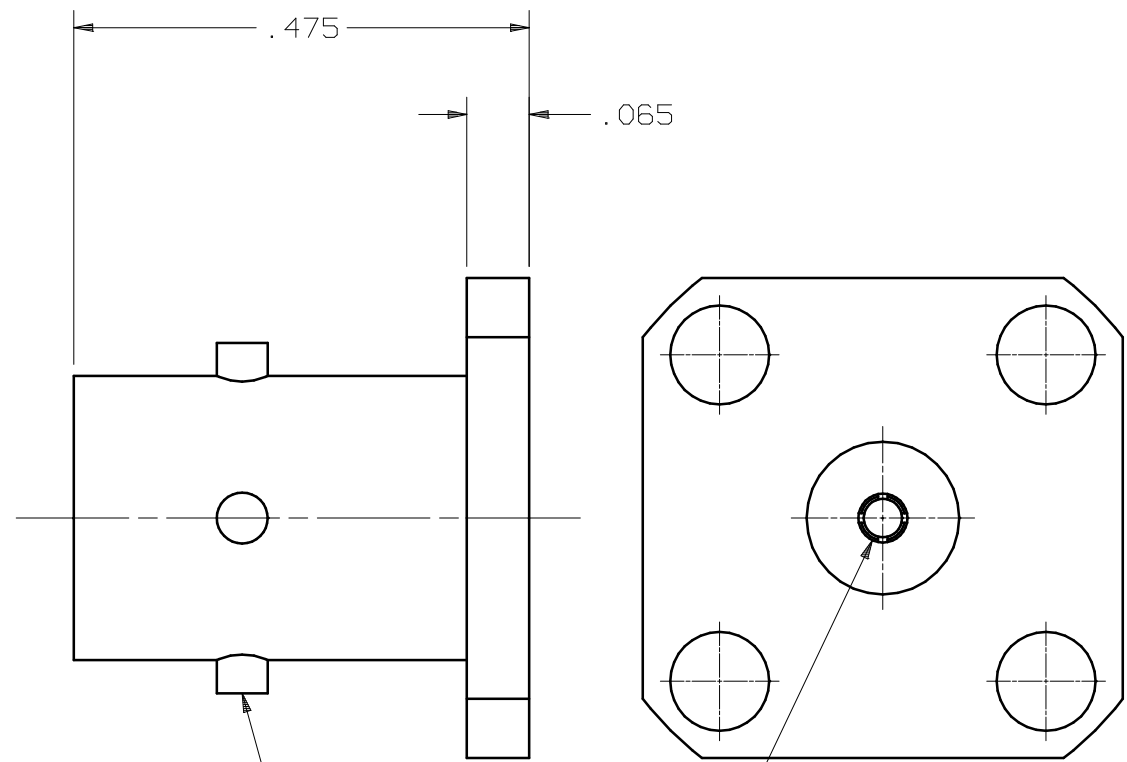
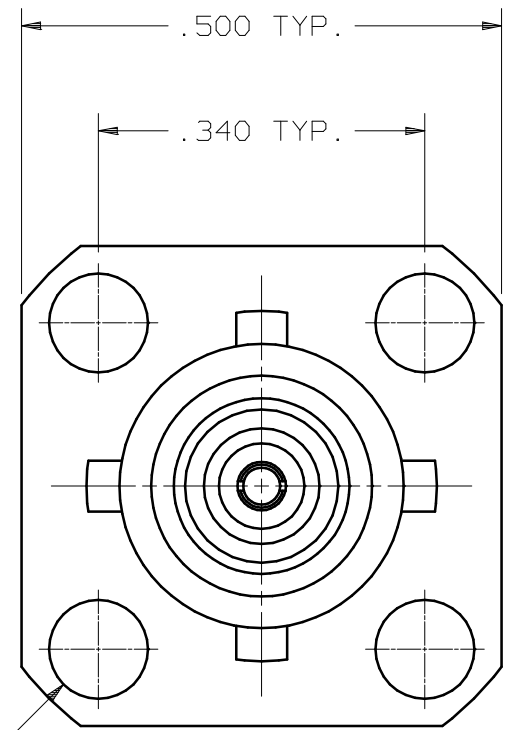


# PRODUCT DATA DRAWING



.106/.104  
DIA. THRU  
4 PLACES

SOCKET ACCEPTS  
.037/.035 DIA. X .100  
LONG PIN

### MATERIAL:

BODY: STAINLESS STEEL PER AMS-5640,  
UNS S30300, TYPE I

CONTACT: BERYLLIUM COPPER PER ASTM-B-196,  
ALLOY C17300, COND. TD04

INSULATOR: PTFE PER ASTM-D-1710

### FINISH:

BODY: PASSIVATED PER QQ-P-35, TYPE II

CONTACT: GOLD PER MIL-G-45204, TYPE I,  
GRADE C, CLASS 1; OVER NICKEL  
PER QQ-N-290, CLASS 1

### PERFORMANCE:

IMPEDANCE: 50 OHMS

DWV: 1000 VRMS

FREQ. RANGE: DC-2.0 GHz

INSUL. RES.: 5000 MEGOHMS, MIN.

SYM.	DESCRIPTION	DATE	APPR.	UNLESS OTHERWISE SPECIFIED: 1) ALL DIMENSIONS ARE AFTER PLATING. 2) BREAK CORNERS & EDGES .005 R. MAX. 3) CHAM. 1st & LAST THDS. 4) SURFACE ROUGHNESS 63 J MIL-STD-10. 5) DIAS. ON COMMON CENTERS TO BE CONCENTRIC WITHIN .005 T.I.R. 6) REMOVE ALL BURRS.	DIMENSIONS ARE IN INCHES TOLERANCES:			<b>SV Microwave, Inc.</b> 2400 Centrepark West Drive, Suite 100 West Palm Beach, FL 33409 TITLE: ZMA JACK (90° TYP.) FLANGE MOUNT WITH FEMALE SOCKET DWG. NO. <b>SF8750-6002</b>
-	REL. DCN 30496	10/03	STW		DECIMALS .X ±.030 .XX ±.015 .XXX ±.005	FRACTIONAL ±1/64	ANGULAR X° ±1°0' X°X' ±15'	
				DRAWN: MEB 10/10/03	MATERIAL: SEE ABOVE	□" AREA: N/A		
				CHECKED: STW 10/10/03	FINISH: SEE ABOVE	SIZE	CAGE NO.	SCALE
				APPROVED: STW 10/10/03		B	95077	5X