

SMA INNER DC BLOCK 5KHZ-23GHZ LOW EMI

SD3239

SPECIFICATIONS

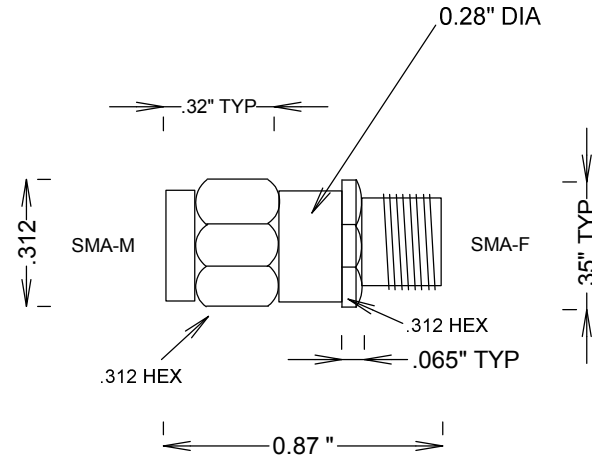
ELECTRICAL:

FREQUENCY: 5KHZ-23GHZ
 INSERTION LOSS: 0.5 DB MAX@12.4ghz. .65@ 23ghz
 BREAKDOWN VOLTAGE: 100 VOLTS
 VSWR: 1.3:1 MAX

MATERIALS, BODY: PASSIVATED S STEEL
 PLATING, CONTACTS: GOLD

OP TEMPERATURE: -40 TO +115 DEG C

NOTE: MECHANICAL CAPTIVATION



CENTER PIN HAS DC BLOCKING CAP

NOTE: MECHANICAL CAPTIVATION
 NO EPOXY CAPTIVATION HOLE
 INTERNAL EMI SUPPRESSION

				FAIRVIEW MICROWAVE INC.	
				ALLEN, TX 75013 WWW.FAIRVIEWMICROWAVE.COM	
				TITLE	
				SMA INNER DC BLOCK 5KHZ-23GHZ LOW EMI	
SIZE	CAGE CODE	DWG NO	REV		
A	3FKR5	SD3239	A		
SCALE			SHEET		