

SMA BULKHEAD EDGE LAUNCH .062"

SC8435

SPECIFICATIONS

ELECTRICAL

50 OHMS
 VSWR 1.25:1 MAX @ 18 GHZ
 FREQUENCY: 0-18 GHZ

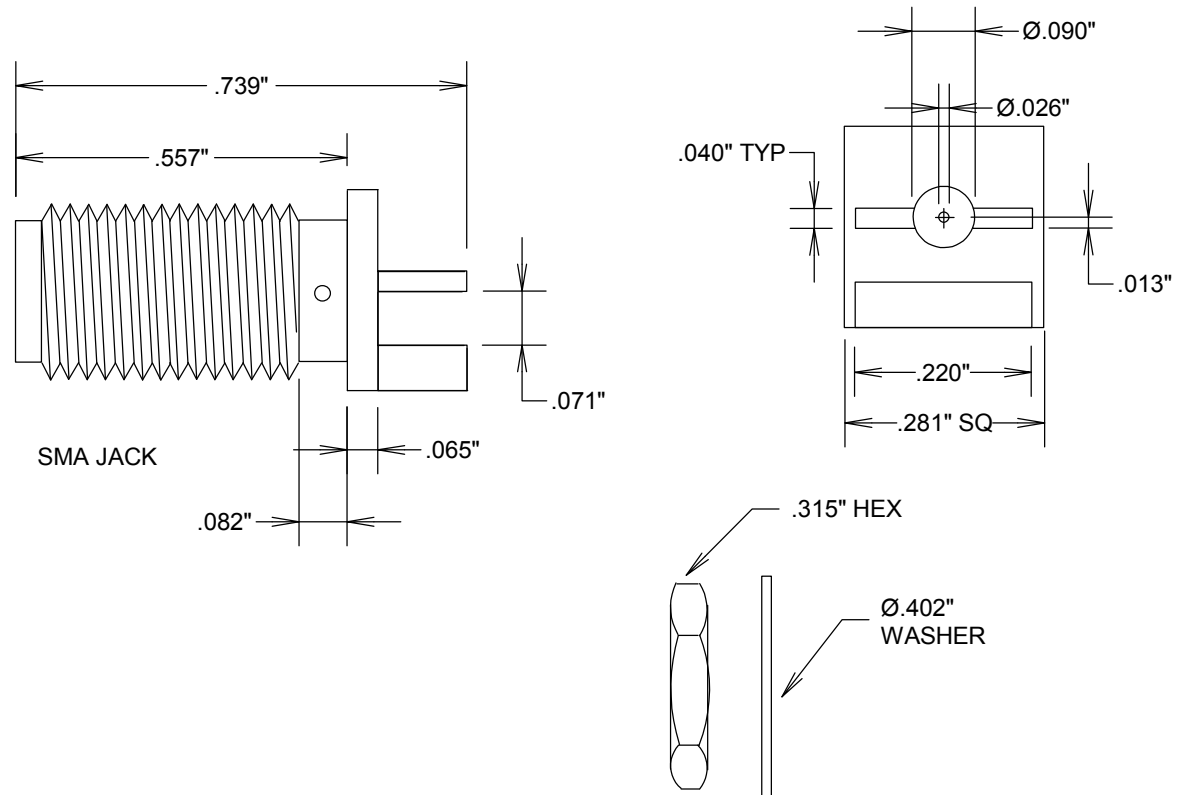
MECHANICAL

MATERIAL BODY: AU PLATED BRASS
 MATERIAL CONTACTS: BeCu
 CONTACT PLATING Au PER MIL-G-45204
 INTERFACE MIL-STD-348
 INSULATION: TEFLON

ENVIRONMENTAL

-65°C TO +165°C

ROHS COMPLIANT



FAIRVIEW MICROWAVE INC.

ALLEN, TX 75013 WWW.FAIRVIEWMICROWAVE.COM

TITLE

SMA BULKHEAD EDGE LAUNCH .062"

SIZE	CAGE CODE	DWG NO	REV
A	3FKR5	SC8435	A
SCALE	SHEET		