

SMA-F BULKHEAD JACK RECEPTACLE

SC7121

SPECIFICATIONS

ELECTRICAL

50 OHMS

VSWR 1.20:1 MAX @ 18 GHZ

FREQUENCY: 0-18 GHZ

MATERIALS

BODY: Au PLATED S STEEL

CENTER CONTACTS BeCu ASTM B196

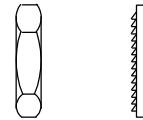
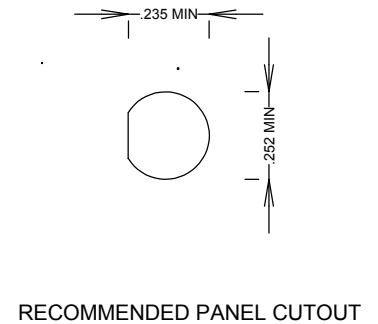
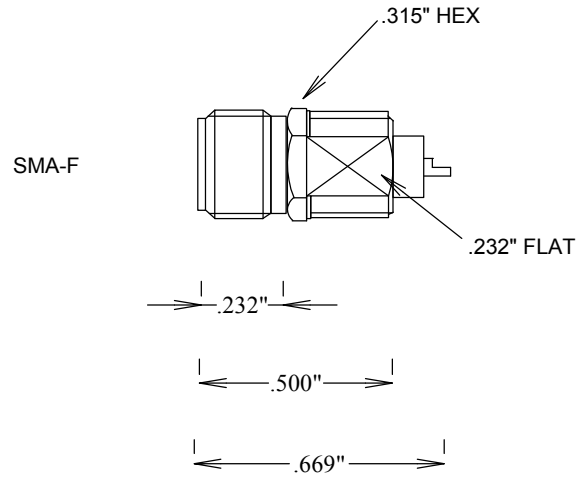
CONTACT PLATING: Au PER MIL-G-45204

PLATING BODY: Au 3 μ "

INSULATOR: TEFLON

INTERFACE: MIL-STD-348A

ROHS COMPLIANT



FAIRVIEW MICROWAVE INC.

ALLEN, TX 75013 WWW.FAIRVIEWMICROWAVE.COM

TITLE

SMA-F BULKHEAD JACK RECEPTACLE

SIZE	CAGE CODE	DWG NO	REV
A	3FKR5	SC7121	--
SCALE	SHEET		