

# SMP MALE THREAD IN SHROUD FULL DETENTE

SC5500

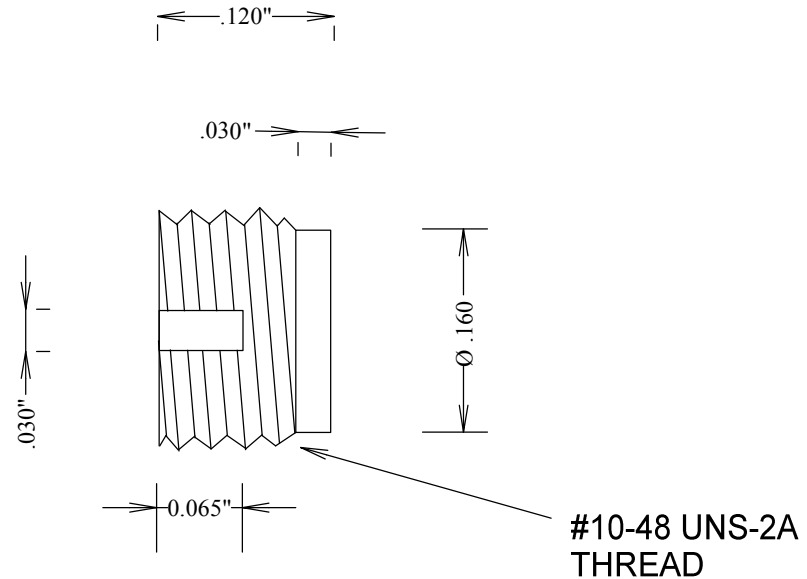
## SPECIFICATIONS

### ELECTRICAL:

FREQUENCY: 0-40 GHZ  
IMPEDANCE: 50 OHMS  
OP. TEMP RANGE: -55° to +125°C

### MECHANICAL:

MATERIAL: PASSIVATED S STEEL  
INTERFACE: SMP DESC 94007  
FULL DETENTE  
FORCE TO ENGAGE: 15.0 LBS MAX  
FORCE TO DISENGAGE: 5.0 LBS MIN  
ROHS COMPLIANT



**FAIRVIEW MICROWAVE INC.**

ALLEN, TX 75013 WWW.FAIRVIEWMICROWAVE.COM

TITLE

**SMP MALE THREAD IN SHROUD  
FULL DETENTE**

SIZE

**A**

CAGE CODE

**3FKR5**

DWG NO

**SC5500**

REV

**A**

SCALE

SHEET