

# MINISMP-M EDGE LAUNCH LIMITED DETENTE

SC5412

## SPECIFICATIONS

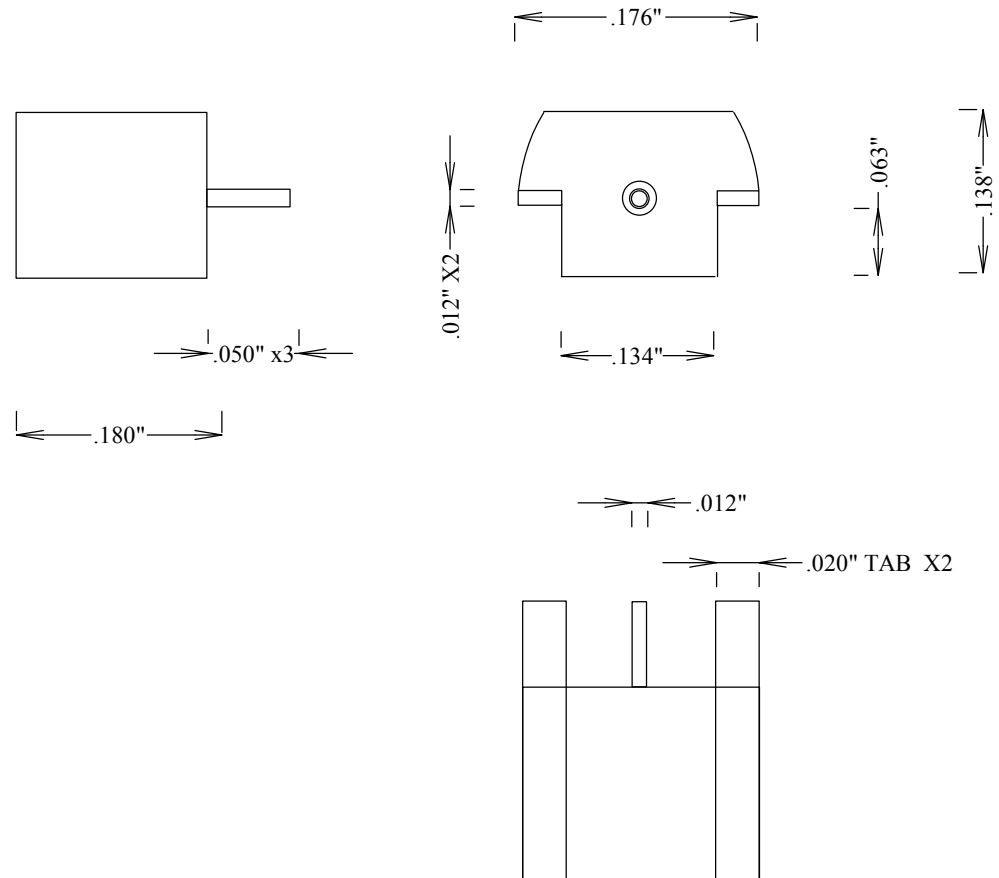
### ELECTRICAL:

FREQUENCY: 0-40 GHZ  
IMPEDANCE: 50 OHMS

### MECHANICAL:

MATERIAL BODY: BeCu  
CENTER CONTACTS: BeCu  
PLATING: Au PER MIL-G-45204  
INSULATOR: PTFE  
OP. TEMP RANGE: -65° to +165°C  
ROHS COMPLIANT

FORCE TO ENGAGE: 4.0 LBS MAX  
FORCE TO DISENGAGE: 2.5 LBS MIN



				<b>FAIRVIEW MICROWAVE INC.</b>			
				ALLEN, TX 75013 WWW.FAIRVIEWMICROWAVE.COM			
				TITLE			
				MINISMP-M EDGE LAUNCH LIMITED DETENTE			
SIZE		CAGE CODE		DWG NO		REV	
A		3FKR5		SC5412		A	
SCALE				SHEET			