

# SMP-M EDGE LAUNCH FULL DETENTE .065" BRD

SC5388

## SPECIFICATIONS

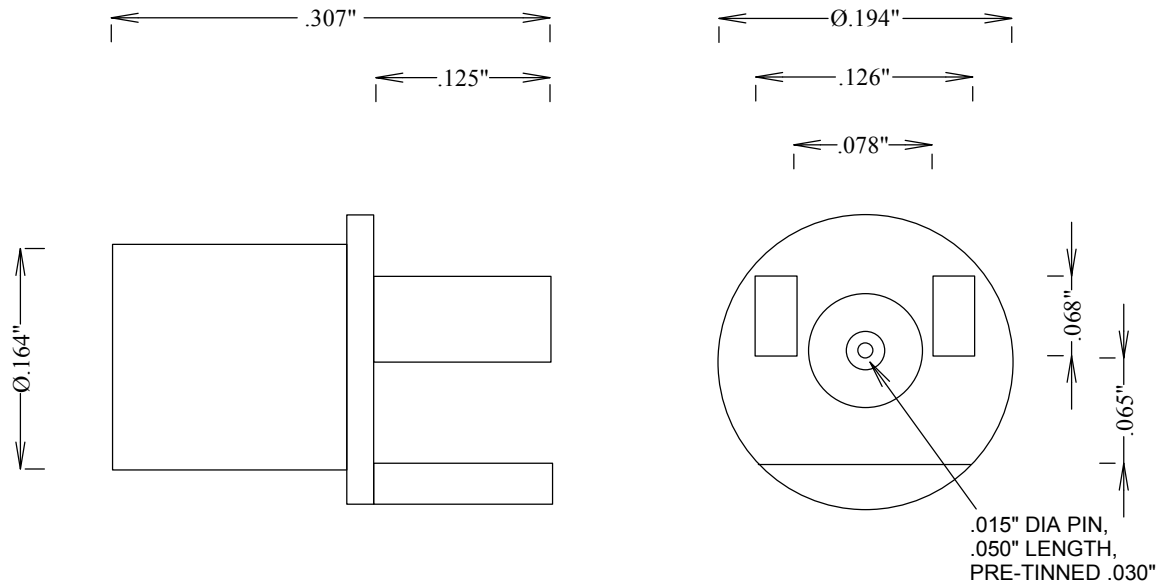
### ELECTRICAL:

FREQUENCY: 0-40 GHZ  
IMPEDANCE: 50 OHMS

### MECHANICAL:

MATERIAL BODY: BeCu  
CENTER CONTACTS: BeCu  
PLATING: Au PER MIL-G-45204  
INSULATOR: PTFE  
INTERFACE: SMP DESC 94008  
OP. TEMP RANGE: -55° to +155°C  
ROHS COMPLIANT

FORCE TO ENGAGE: 15.0 LBS MAX  
FORCE TO DISENGAGE: 5.0 LBS MIN



**FAIRVIEW MICROWAVE INC.**

ALLEN, TX 75013 WWW.FAIRVIEWMICROWAVE.COM

TITLE

**SMP-M EDGE LAUNCH FULL DETENTE  
.065" BRD**

SIZE	CAGE CODE	DWG NO	REV
<b>A</b>	<b>3FKR5</b>	<b>SC5388</b>	<b>A</b>

SCALE	SHEET
-------	-------