

SPECIFICATIONS

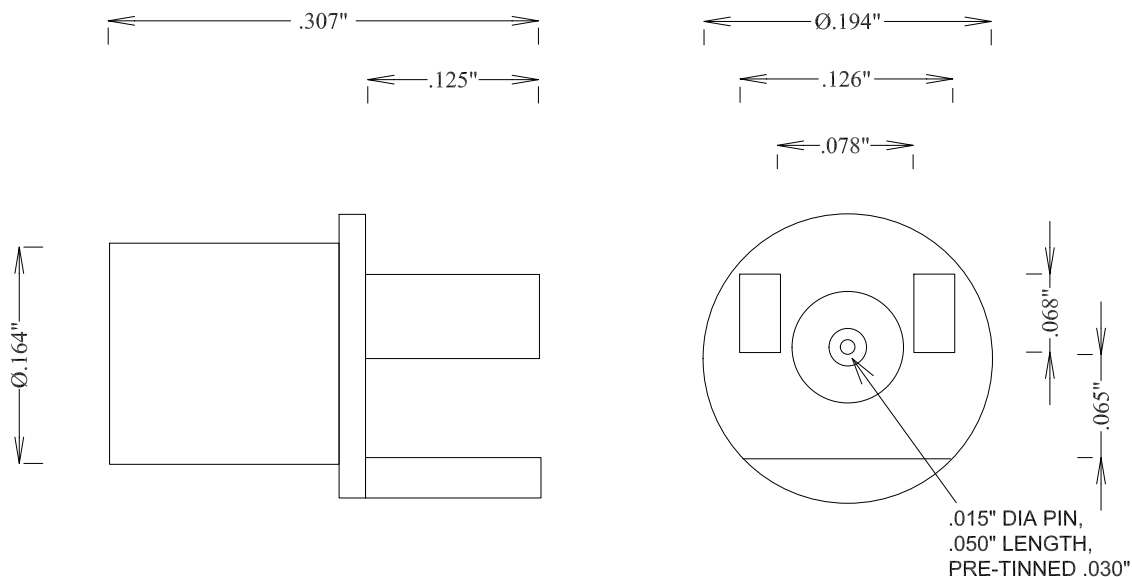
ELECTRICAL:

FREQUENCY: 0-40 GHZ
 IMPEDANCE: 50 OHMS

MECHANICAL:

MATERIAL BODY: BeCu
 CENTER CONTACTS: BeCu
 PLATING: Au PER MIL-G-45204
 INSULATOR: PTFE
 INTERFACE: SMP DESC 94008
 OP. TEMP RANGE: -55° to +155°C
 ROHS COMPLIANT

FORCE TO ENGAGE: 15.0 LBS MAX
 FORCE TO DISENGAGE: 5.0 LBS MIN



FAIRVIEW MICROWAVE INC.

ALLEN, TX 75013 WWW.FAIRVIEWMICROWAVE.COM

TITLE

**SMP-F EDGE LAUNCH FULL DETENTE
 .065" BRD**

SIZE	CAGE CODE	DWG NO	REV
A	3FKR5	SC5384	--

SCALE

SHEET